

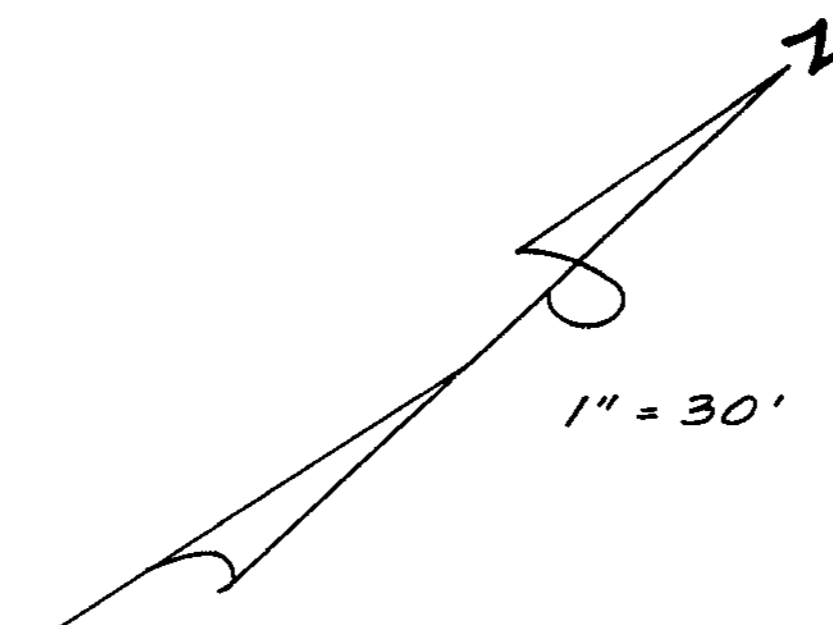
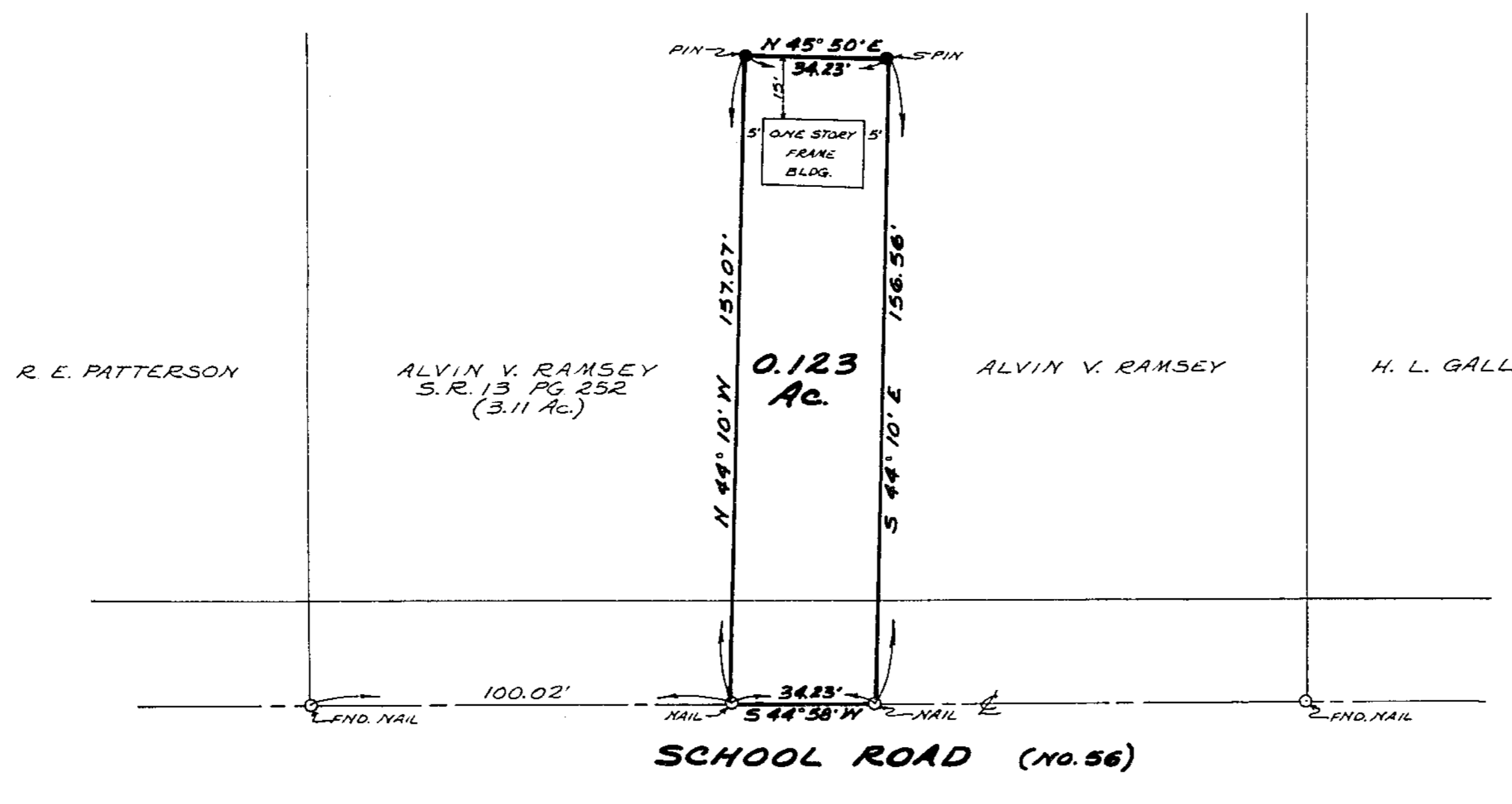
48763

RECEIVED FOR RECORD  
RECORDED  
PLAT NO. 7 PAGE 4D  
1977 MAY 12 AM 11:58  
FEE \$ 10.00  
JEAN S. RICHARDSON  
RECORDER  
CLINTON COUNTY, OHIO

CLINTON COUNTY ENGINEERS  
RECORD OF LAND DIVISION

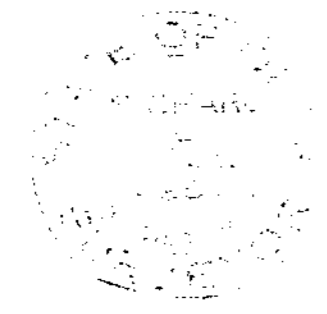
VOLUME \_\_\_\_\_ PLAT NO. \_\_\_\_\_  
DATE 5-11-77  
SCALE 1" = 30'

DEED REFERENCE  
DEED BOOK 250 PAGE 107  
TOWNSHIP GREEN  
MILITARY SURVEY NO. 2386 (UPPER)



SURVEY PLAT OF  
PART OF ALVIN V. RAMSEY LANDS  
MILITARY SURVEY NO. 2386 (UPPER)  
GREEN TOWNSHIP  
CLINTON COUNTY, OHIO

I HEREBY CERTIFY THIS TO BE A CORRECT  
PLAT OF A SURVEY MADE UNDER MY DIRECTION  
IN MAY, 1977.



William S. Gull  
REGISTERED SURVEYOR NO. 4957

**CLINCO**  
ENGINEERS-SURVEYORS  
62 1/2 E. SUBARTREE ST. MILAN, OHIO

SCALE 1" = 30'	DRAWN BY C.E.E.	CHECKED BY R.D.R.
DATE MAY 11, 1977	DEED C-3621	