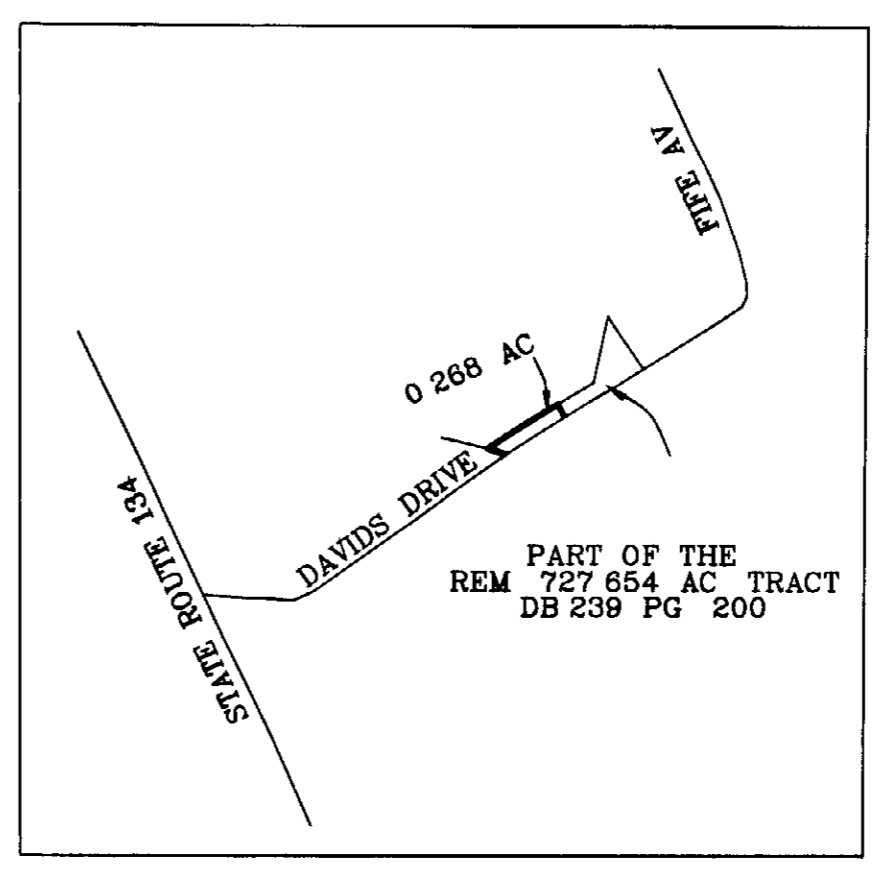


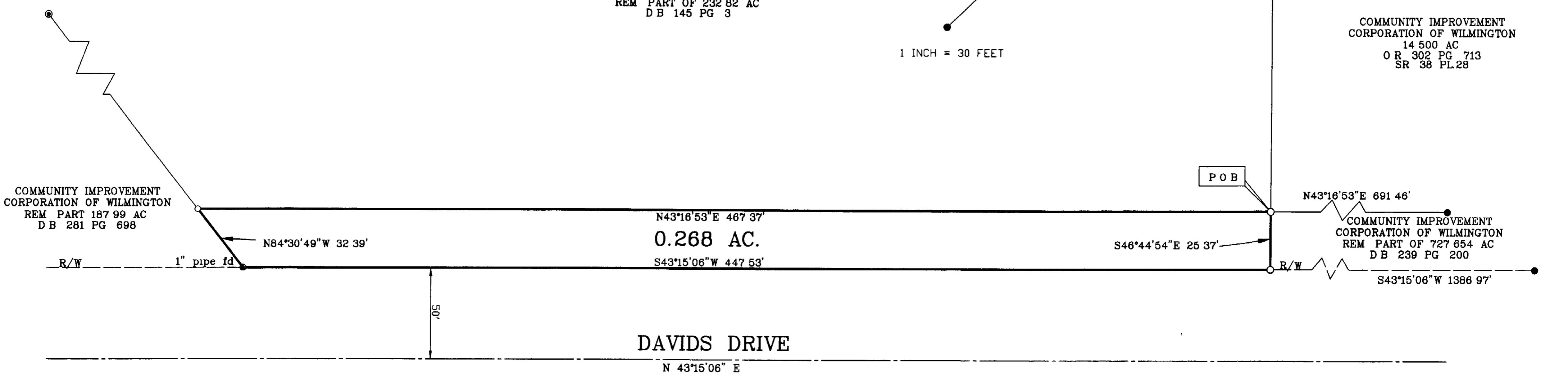
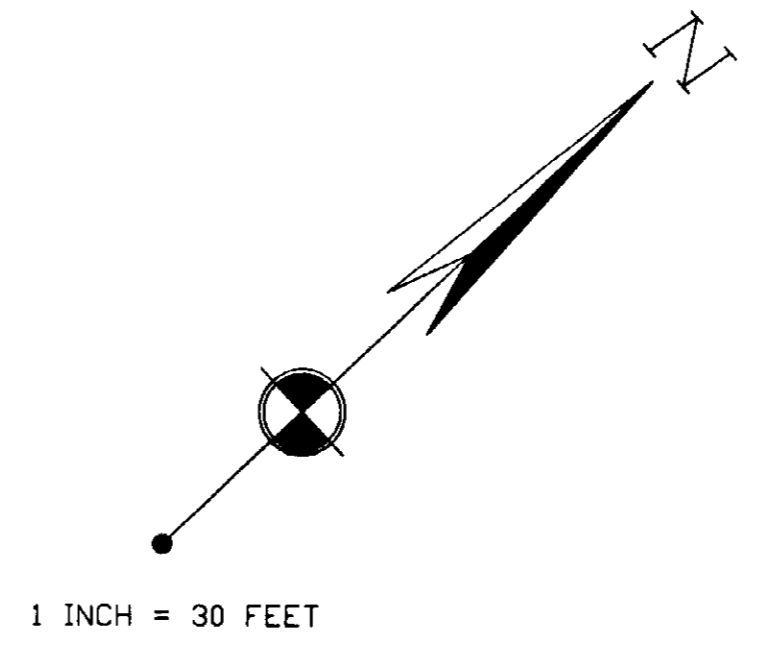
SURVEY PLAT OF
 PART OF THE LANDS OF
**COMMUNITY IMPROVEMENT CORPORATION
 OF WILMINGTON**
 SITUATED IN
 MILITARY SURVEY NO 2893
 CITY OF WILMINGTON
 CLINTON COUNTY, OHIO



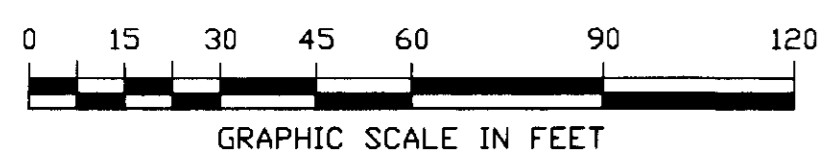
- MONUMENT LEGEND -**
- Iron Pin (fd) size per plan
 - 5/8" OD Iron Pin (set) with yellow plastic cap stamped "CLINCO & SUTTON"
 - ⊙ Iron Pipe (fd) OD size per plan
 - ⊠ Stone (fd)
 - ▲ Railroad Spike (fd)
 - △ Railroad Spike (set)
 - ⊕ P K or Mag Nail (set)
 - ⊞ Concrete Monument (fd)
 - PK or Mag Nail (fd)
 - ◆ Bolt (fd) size per plan
 - ⊗ Post (fd) size per plan

NOTE Bearings used are based on an assumed azimuth and are for purposes of angular measurement only
 Monuments found or set are in good condition unless otherwise labeled
 Deeds & Survey Records as noted on drawing are source data for this survey

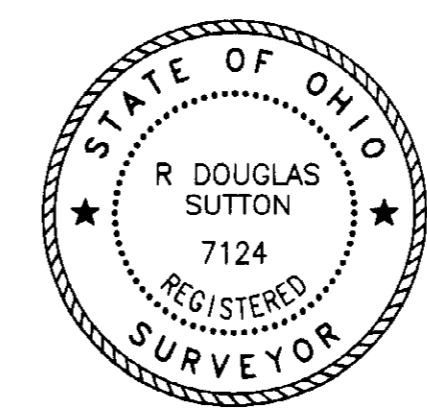
WILMINGTON COLLEGE
 REM PART OF 232.82 AC
 DB 145 PG 3



APPROVED FOR
 MATHEMATICAL ACCURACY
 CLINTON COUNTY ENGINEER
 Per W Hall



NOTES
 The 0.268 Acre Tract shall be attached with the lands of Wilmington College and shall not create an independant building site



R DOUGLAS SUTTON
 OHIO PROFESSIONAL SURVEYOR NO 7124

Clinco & Sutton
 SURVEYORS
 61 SOUTH MULBERRY ST
 WILMINGTON, OH 45177
 JOB NO 01-069
 DRWG NO _____
 DATE AUG. 30, 2001