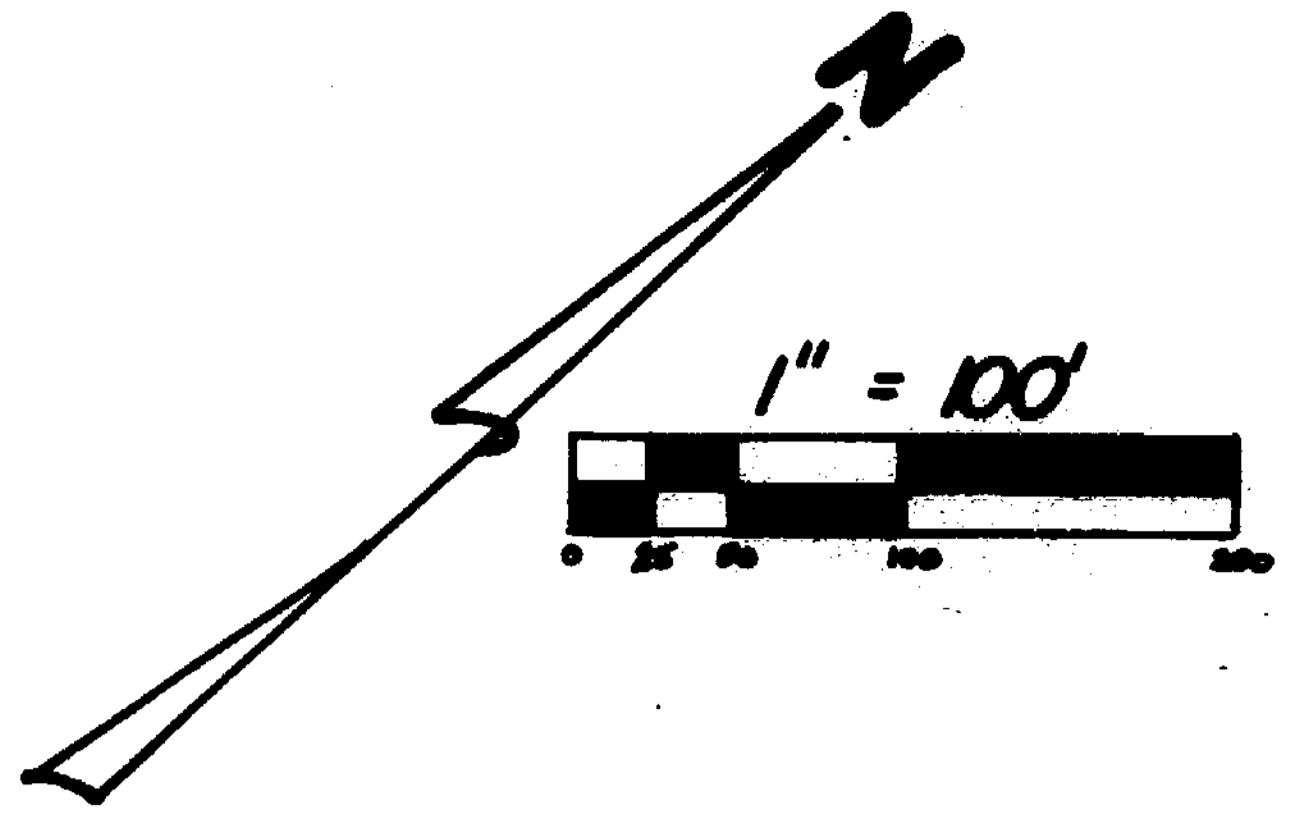
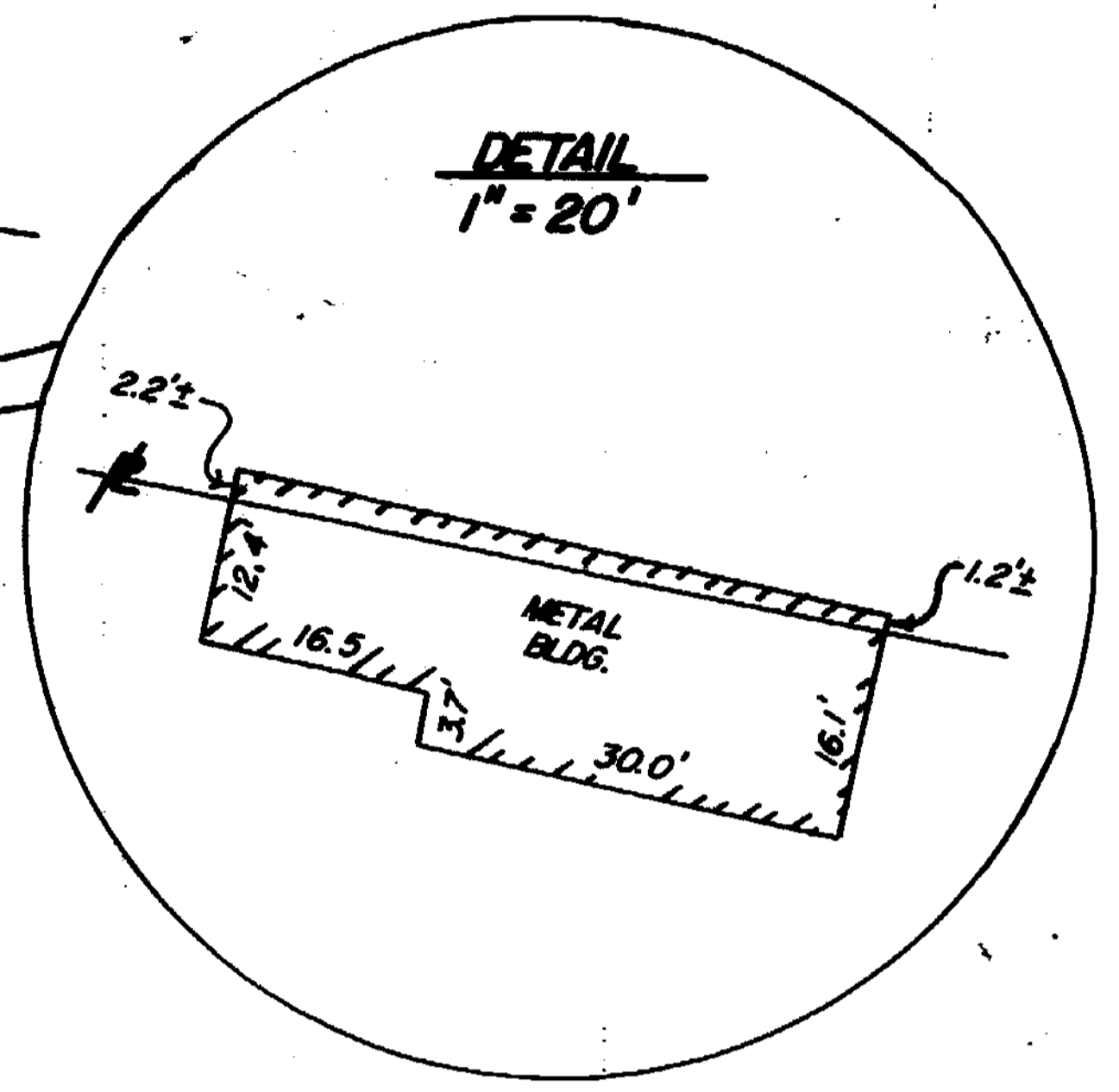
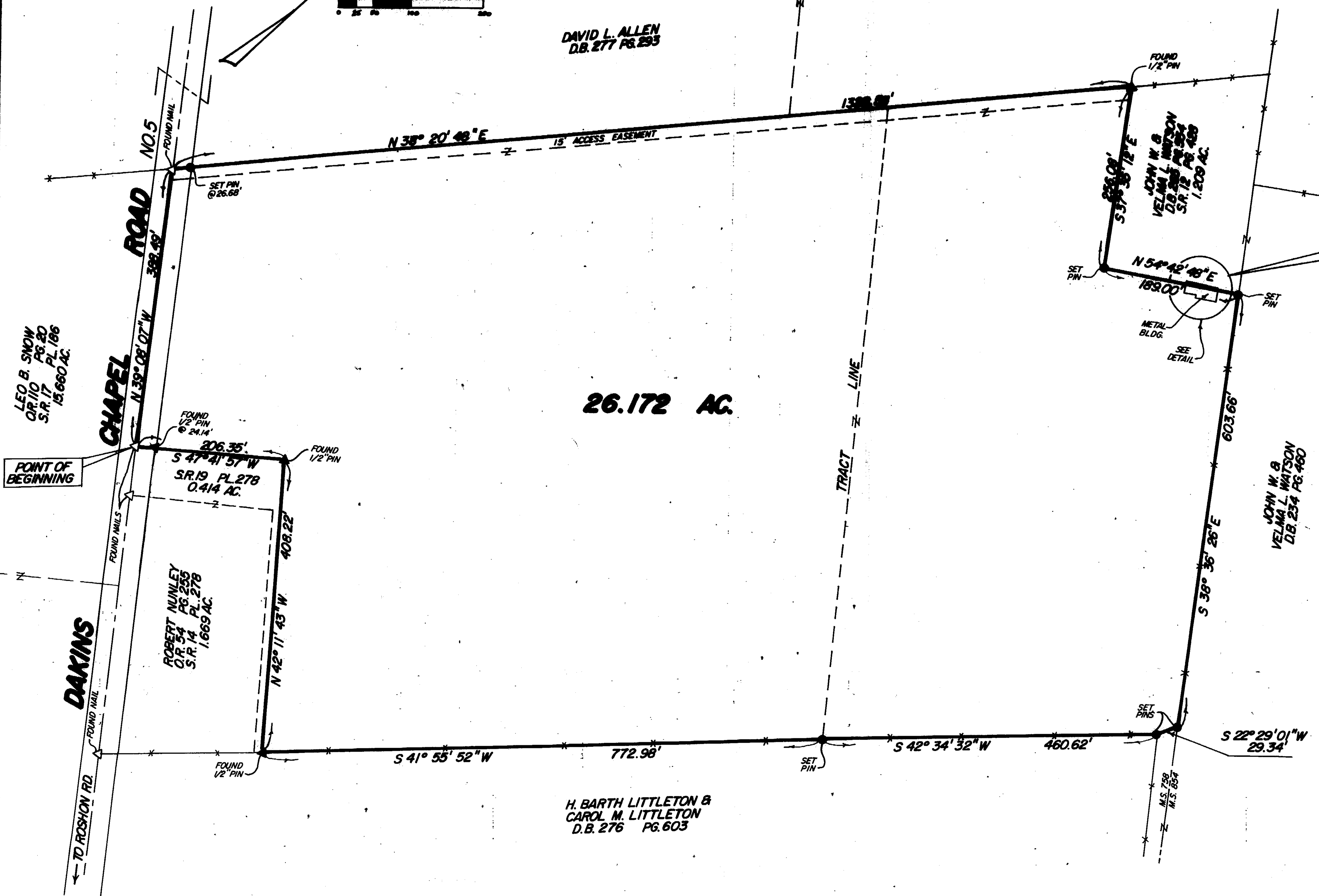


CLINTON COUNTY ENGINEERS  
 RECORD OF LAND DIVISION  
 VOLUME 26 PLAT NO. 100  
 DATE 08-17-95  
 SCALE 1" = 100'

DEED REFERENCES	
VOLUME <u>217</u>	PAGE <u>461</u>
VOLUME <u>224</u>	PAGE <u>292</u>
VOLUME <u>285</u>	PAGE <u>93</u>
TOWNSHIP <u>RICHLAND</u>	
MILITARY SURVEY NO. <u>758</u>	



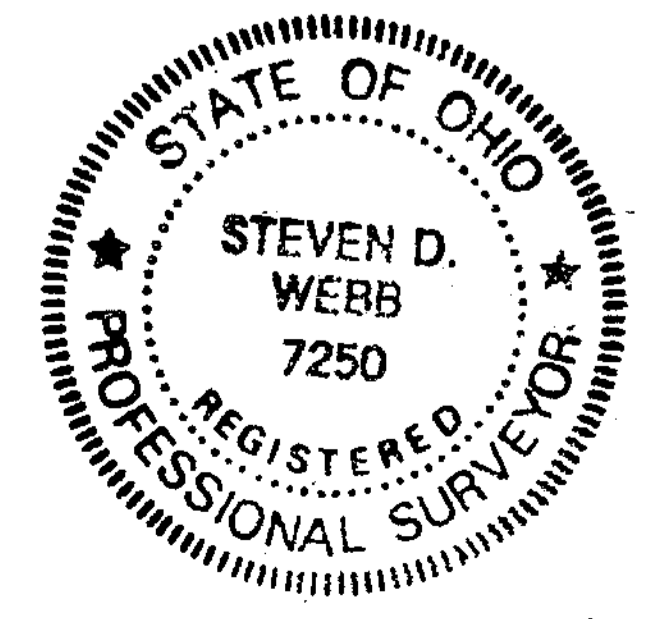
DAVID L. ALLEN  
 D.B. 277 PG. 293



- NOTES:**
- (1) "SET PIN" DENOTES 1/2" x 30" IRON PIN WITH PLASTIC CAP STAMPED "CLINCO".
  - (2) --- DENOTES EXISTING FENCE.
  - (3) BEARINGS WERE DERIVED FROM THE SURVEY OF THE 0.414 ACRE TRACT AS RECORDED IN VOLUME 19, PLAT NO. 278, OF THE CLINTON COUNTY ENGINEERS RECORD OF LAND DIVISION.

I HEREBY CERTIFY THIS TO BE A CORRECT PLAT OF A SURVEY MADE UNDER MY DIRECTION IN AUGUST, 1995.

*Steven D. Webb*  
 REGISTERED SURVEYOR NO. 7250



**SURVEY PLAT OF RUBY J. DAVIS LANDS**  
 SITUATED IN MILITARY SURVEY NO. 758  
 RICHLAND TOWNSHIP  
 CLINTON COUNTY, OHIO

APPROVED FOR MATHEMATICAL ACCURACY  
 Clinton County Engineer  
 Per *M. Hildebrand*  
 AUG 15 1995

**CLINCO SURVEYORS**  
 P.O. BOX 241  
 58 S. WALNUT STREET  
 WILMINGTON, OHIO 45177

SCALE 1" = 100'	DRAWN BY MSH	CHECKED BY SDW
DATE 8-11-95	DRWG. C-7593	