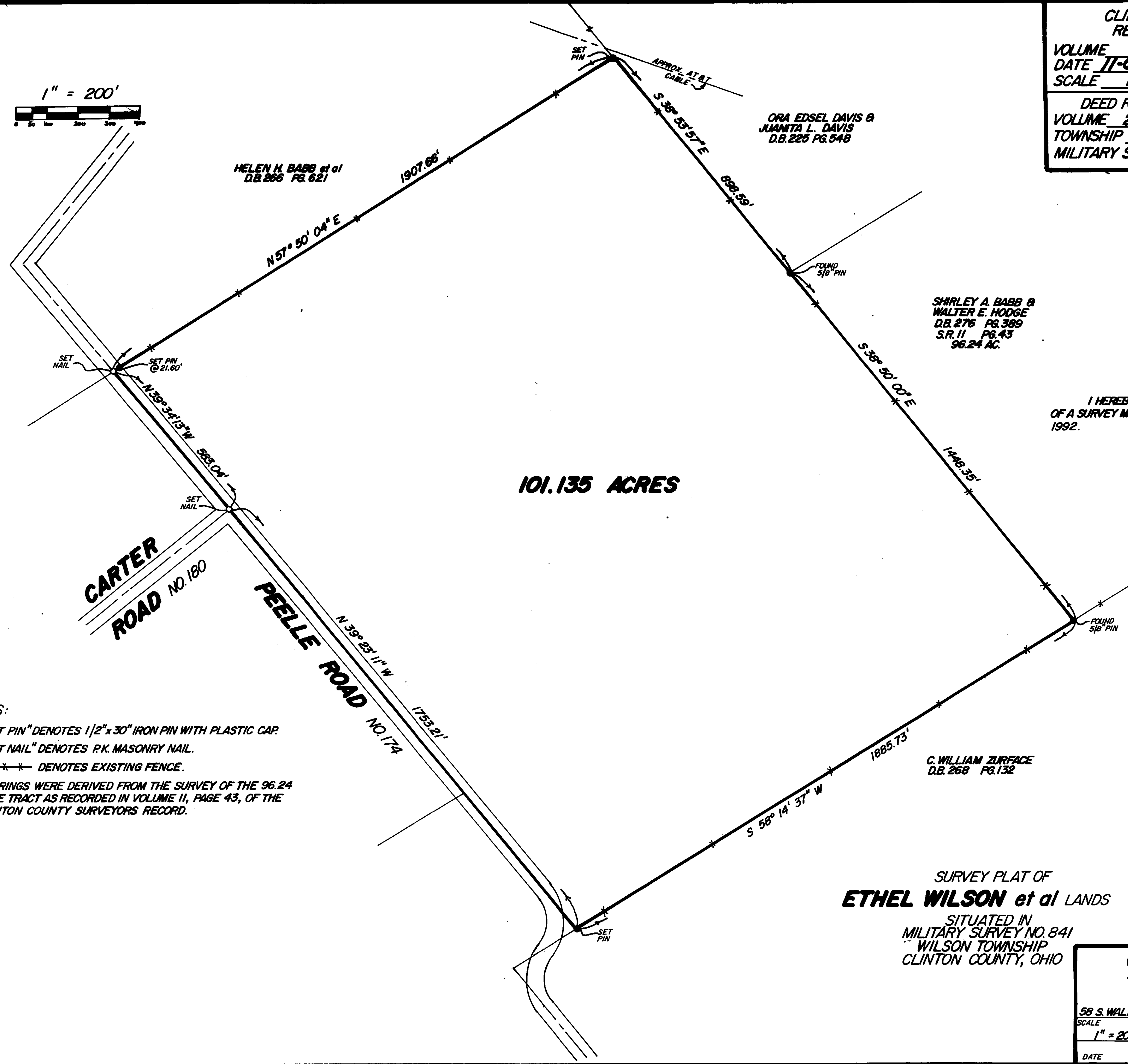
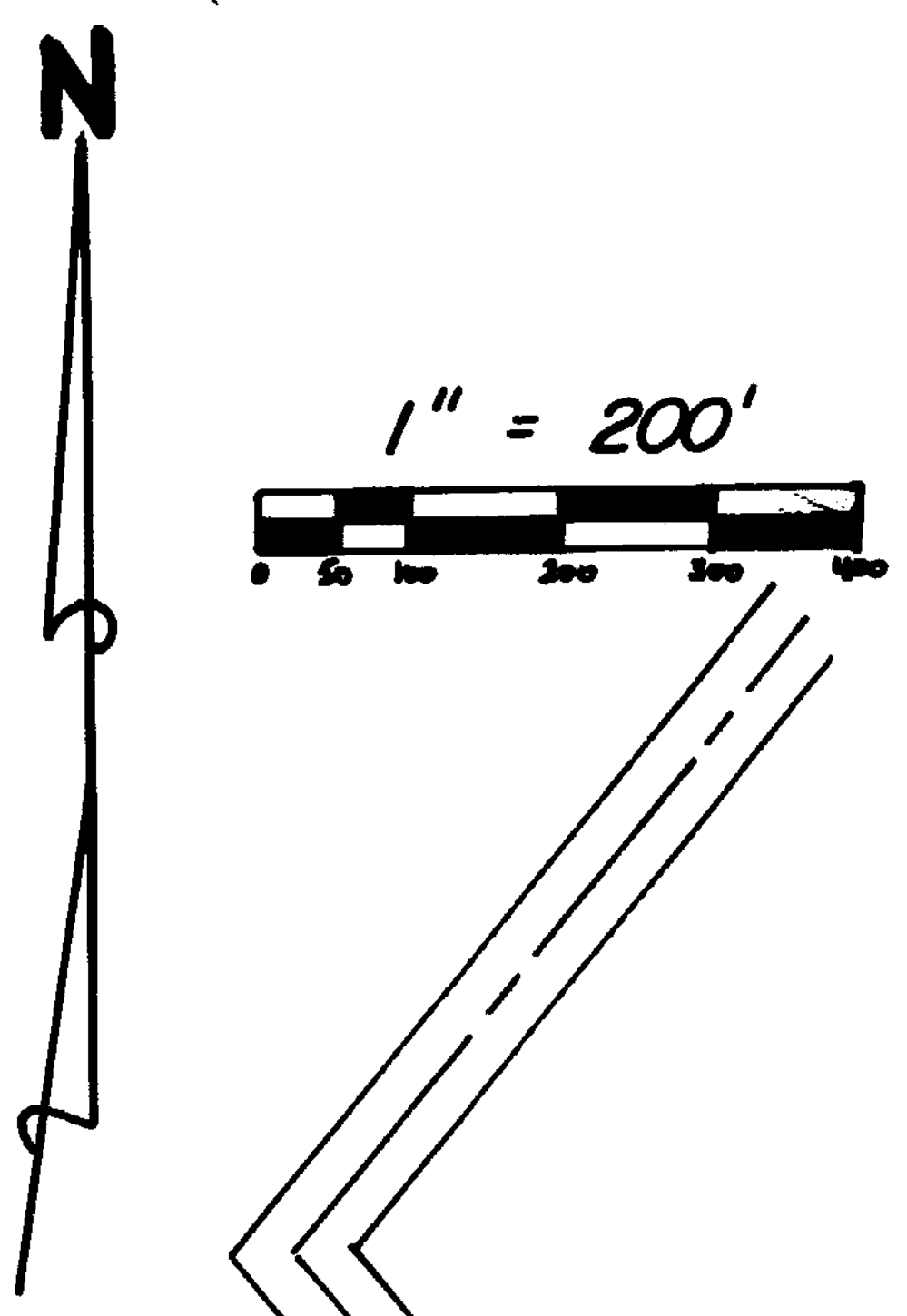


CLINTON COUNTY ENGINEERS  
 RECORD OF LAND DIVISION  
 VOLUME 23 PLAT NO. 179  
 DATE 11-05-1992  
 SCALE 1" = 200'

---

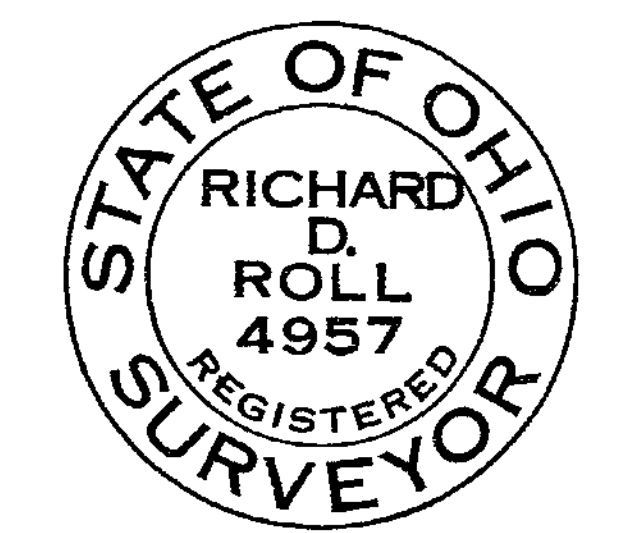
DEED REFERENCE  
 VOLUME 257 PAGES 10 & 29  
 TOWNSHIP WILSON  
 MILITARY SURVEY NO. 841



**101.135 ACRES**

I HEREBY CERTIFY THIS TO BE A CORRECT PLAT  
 OF A SURVEY MADE UNDER MY DIRECTION IN OCTOBER,  
 1992.

*Richard D. Roll*  
 REGISTERED SURVEYOR NO. 4957



- NOTES:
- (1) "SET PIN" DENOTES 1/2" x 30" IRON PIN WITH PLASTIC CAP.
  - (2) "SET NAIL" DENOTES P.K. MASONRY NAIL.
  - (3) \*\*\* DENOTES EXISTING FENCE.
  - (4) BEARINGS WERE DERIVED FROM THE SURVEY OF THE 96.24 ACRE TRACT AS RECORDED IN VOLUME 11, PAGE 43, OF THE CLINTON COUNTY SURVEYORS RECORD.

SURVEY PLAT OF  
**ETHEL WILSON et al** LANDS  
 SITUATED IN  
 MILITARY SURVEY NO. 841  
 WILSON TOWNSHIP  
 CLINTON COUNTY, OHIO

APPROVED FOR  
 MATHEMATICAL ACCURACY  
 Clinton County Engineer  
 Per *[Signature]*  
 NOV 02 1992

**CLINGO**  
 ENGINEERS-SURVEYORS  
 P.O. BOX 241

58 S. WALNUT STREET WILMINGTON, OHIO 45177

SCALE 1" = 200'	DRAWN BY MSH	CHECKED BY RDR
DATE 10-29-92	DRWG. C-6519	