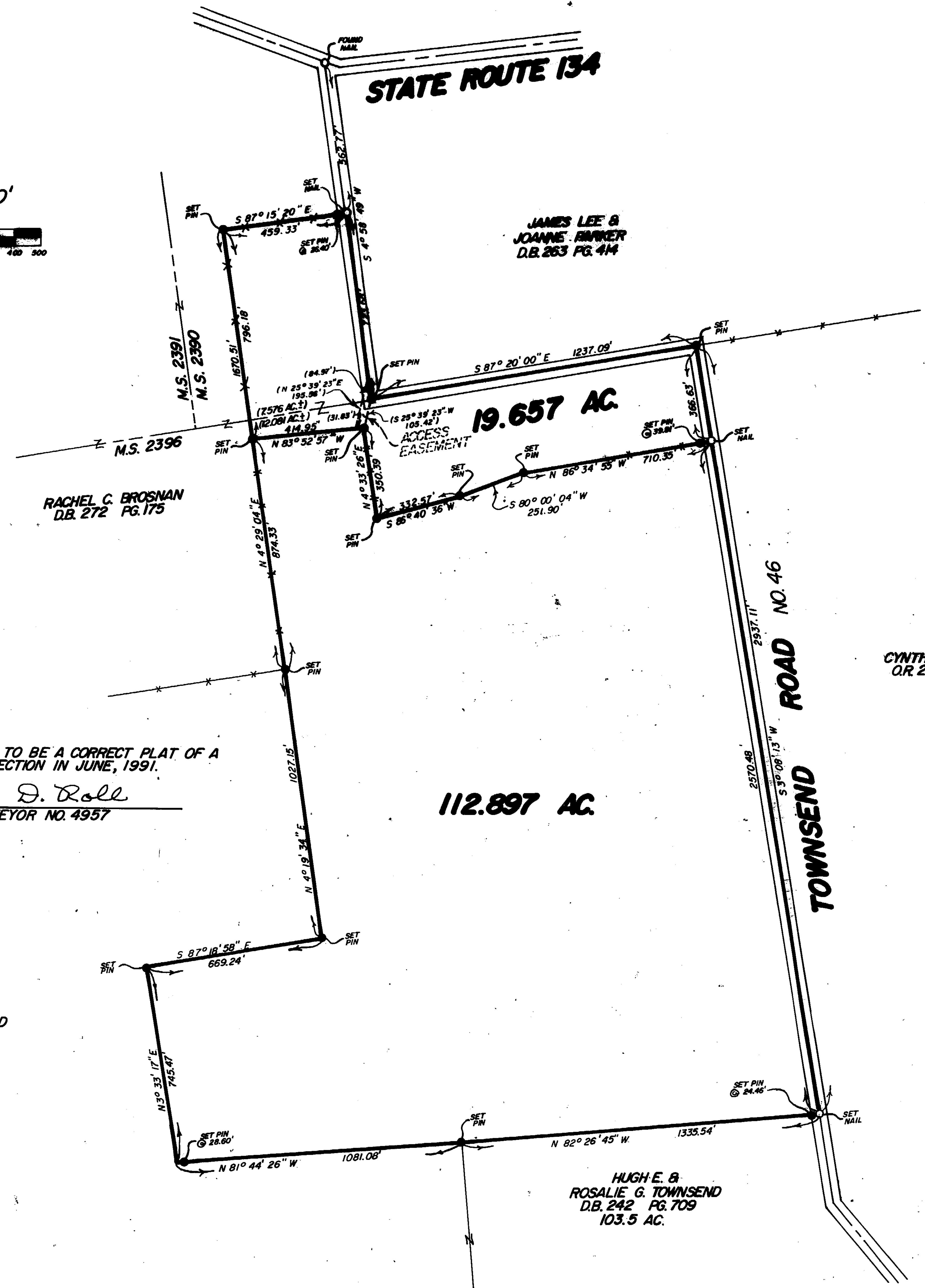
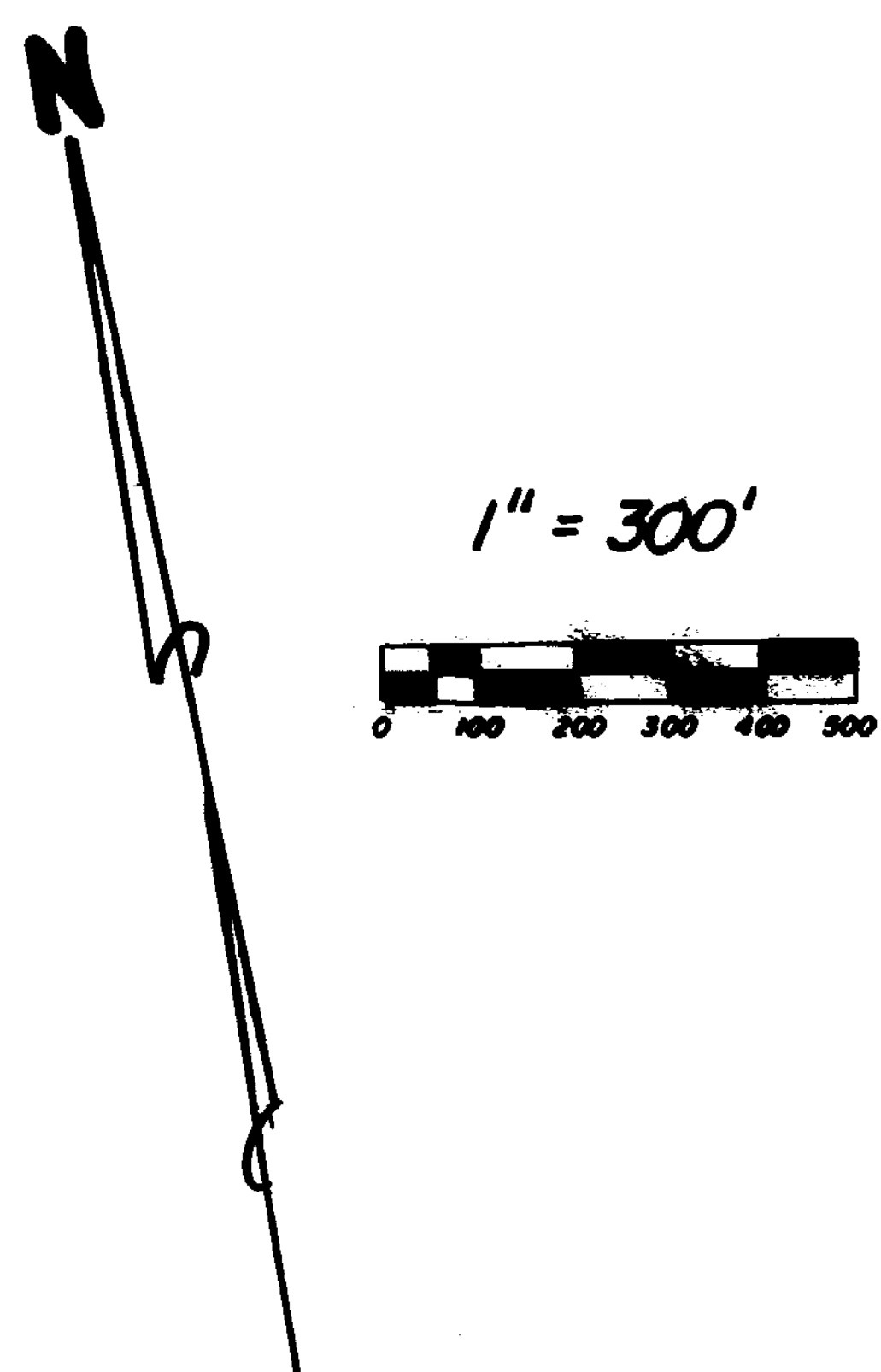


CLINTON COUNTY ENGINEERS
 RECORD OF LAND DIVISION
 VOLUME 22 PLAT NO. 179
 DATE 10-24-1991
 SCALE 1" = 300'
 DEED REFERENCE
 VOLUME 248 PAGE 388
 TOWNSHIP CLARK
 MILITARY SURVEYS NO. 2390 & 2396



- NOTES:
- (1) "SET PIN" DENOTES 1/2" X 30" IRON PIN WITH PLASTIC CAP.
 - (2) "SET NAIL" DENOTES P.K. MASONRY NAIL.
 - (3) --- DENOTES EXISTING FENCE ON OR NEAR LINE.
 - (4) BEARINGS WERE DERIVED FROM THE DEED AS RECORDED IN VOLUME 248, PAGE 388, OF THE CLINTON COUNTY, OHIO, DEED RECORDS.

I HEREBY CERTIFY THIS TO BE A CORRECT PLAT OF A SURVEY MADE UNDER MY DIRECTION IN JUNE, 1991.
Richard D. Roll
 REGISTERED SURVEYOR NO. 4957



SURVEY PLAT OF
 PARTS OF **RALPH EDWIN DOAK** LANDS
 SITUATED IN
 MILITARY SURVEYS NO. 2390 & NO. 2396
 CLARK TOWNSHIP
 CLINTON COUNTY, OHIO

APPROVED BY Log White R.S.
 DATE 10-24-91 TITLE Div. 5A
 CLINTON COUNTY HEALTH DEPARTMENT PER Health Roberts
 DATE 5/24/91 ZONED NONE

HUGH E. &
 ROSALIE TOWNSEND
 D.B. 261 PG. 313
 S.R. 10 PG. 61
 151.10 AC.

HUGH E. &
 ROSALIE G. TOWNSEND
 D.B. 242 PG. 709
 103.5 AC.

APPROVED FOR
 MATHEMATICAL ACCURACY
 Clinton County Engineer
 Per Melodie Alderbraut
 OCT 24 1991

CLINGO
 ENGINEERS & SURVEYORS
 P.O. BOX 241
 62 1/2 E. SUGARTREE ST. WILMINGTON, OHIO 45177

SCALE 1" = 300'	DRAWN BY REC	CHECKED BY RDR
DATE 6-20-91	DRWG. C-6086	