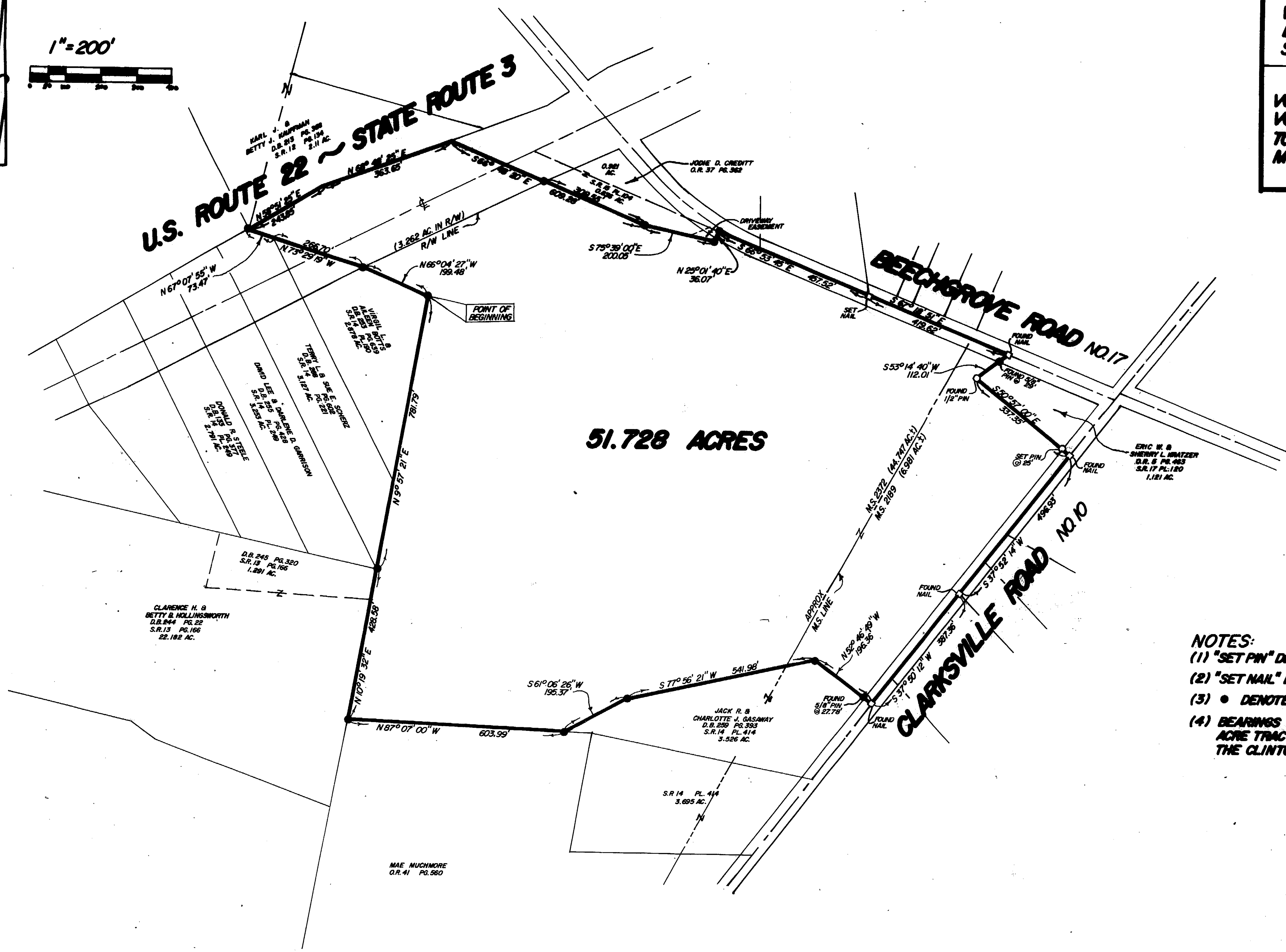
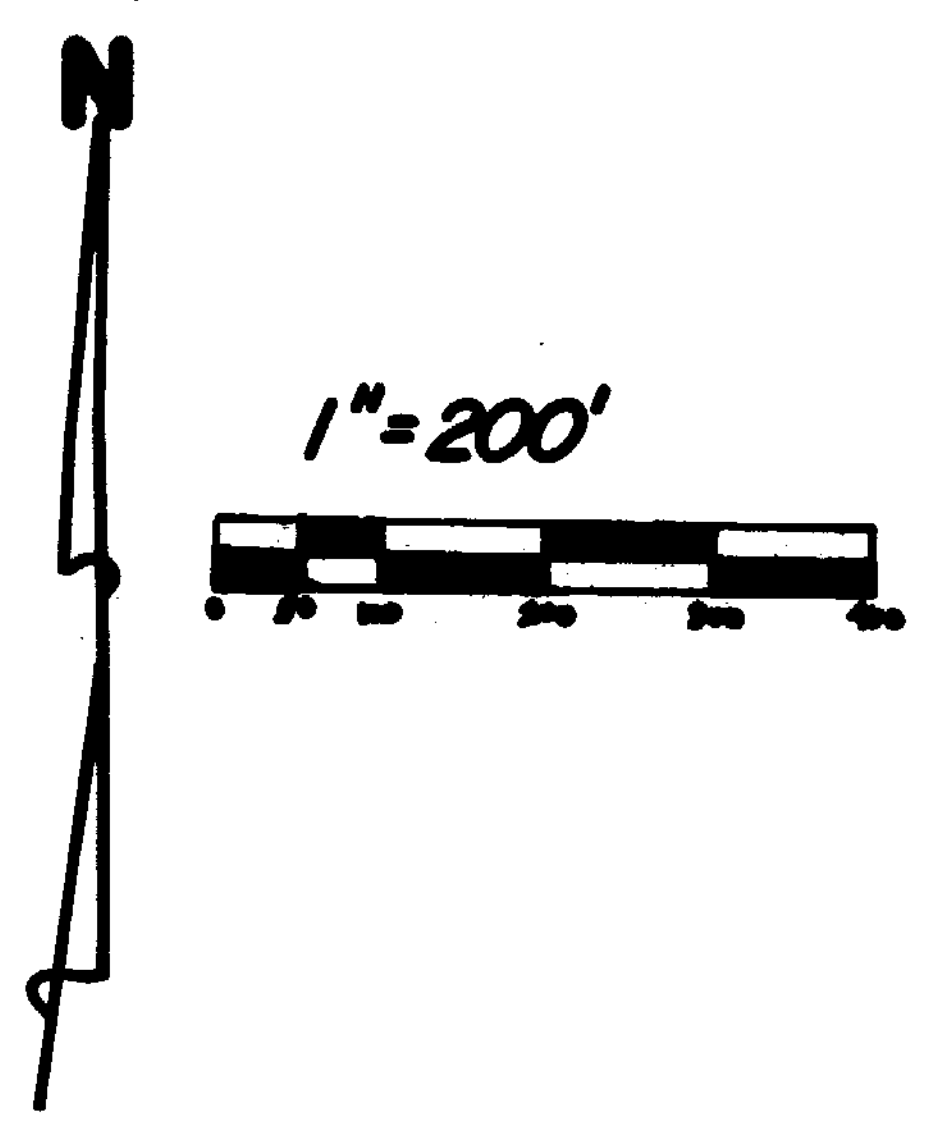


CLINTON COUNTY ENGINEERS
 RECORD OF LAND DIVISION
 VOLUME 20 PLAT NO. 182
 DATE 6-23-1989
 SCALE 1" = 200'

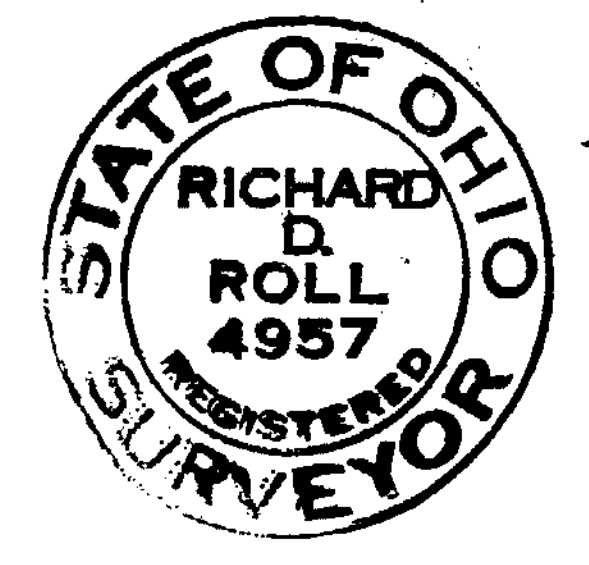
DEED REFERENCE
 VOLUME 133 PAGE 377
 VOLUME 141 PAGE 287
 TOWNSHIP ADAMS
 MILITARY SURVEYS NO. 2189 & 2372



- NOTES:**
- (1) "SET PIN" DENOTES 1/2" x 30" IRON PIN WITH PLASTIC CAP.
 - (2) "SET NAIL" DENOTES P.K. MASONRY NAIL.
 - (3) • DENOTES 5/8" IRON PIN FOUND.
 - (4) BEARINGS WERE DERIVED FROM THE SURVEY OF THE 2.878 ACRE TRACT AS RECORDED IN VOLUME 14, PLAT NO. 190, OF THE CLINTON COUNTY ENGINEERS RECORD OF LAND DIVISION.

I HEREBY CERTIFY THIS TO BE A CORRECT PLAT OF A SURVEY MADE UNDER MY DIRECTION IN APRIL, 1989.

Richard D. Roll
 REGISTERED SURVEYOR NO. 4957



SURVEY PLAT OF
DONALD R. STEELE LANDS
 SITUATED IN
 MILITARY SURVEYS NO. 2189 & NO. 2372
 ADAMS TOWNSHIP
 CLINTON COUNTY, OHIO

APPROVED FOR
 MATHEMATICAL ACCURACY
 Clinton County Engineer
 Per *Margaret Watters*
 APR 25 1989

CLINGO
 ENGINEERS ~ SURVEYORS
 P.O. BOX 241

62 1/2 E. SUGARTREE ST. WILMINGTON, OHIO

SCALE 1" = 200'	DRAWN BY MSH	CHECKED BY RDR
DATE 4-20-89	ORIG. C-5526	