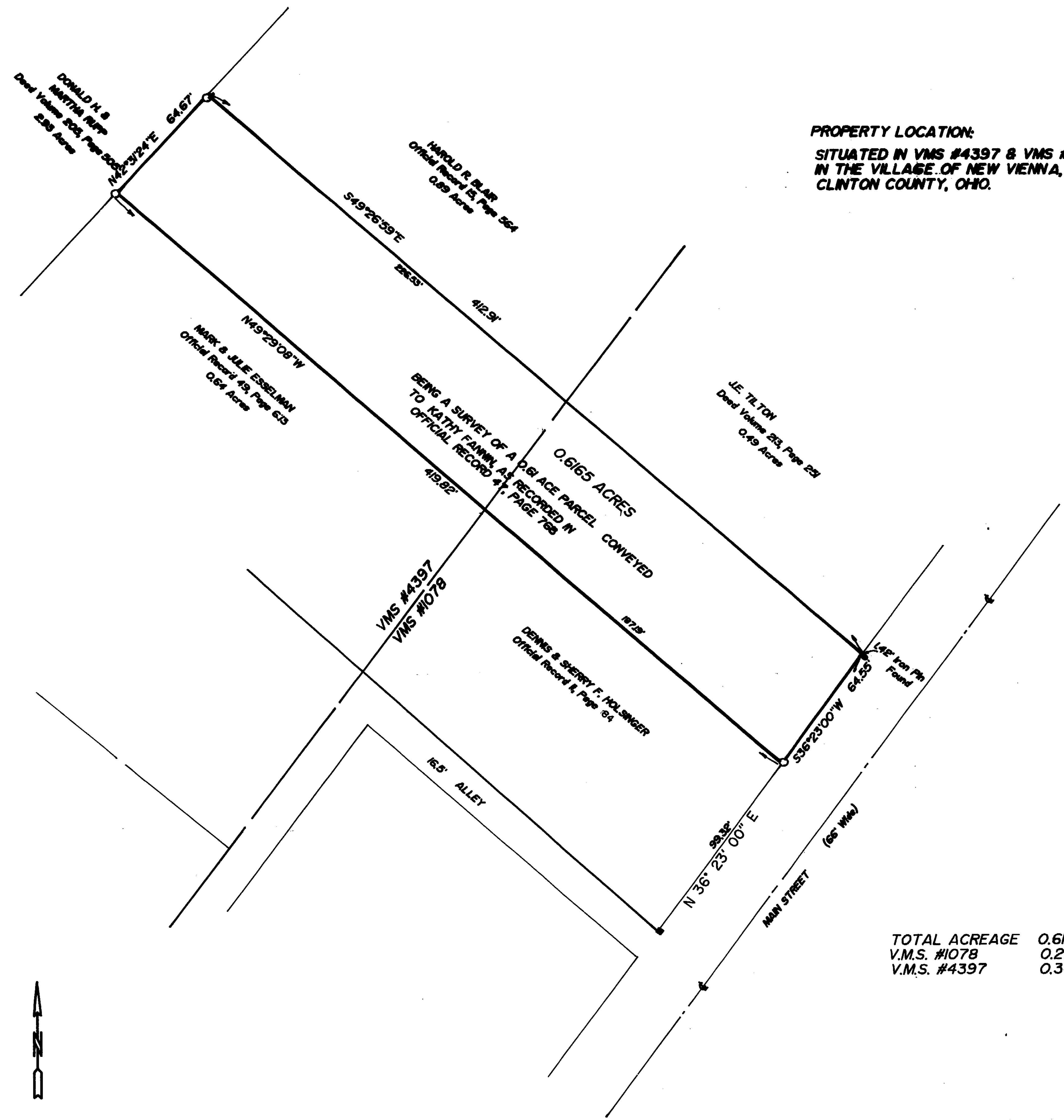


VOLUME: 20 PLAT NO: 179
 Clinton County Engineer's
 Record of Land Surveys
 File Date: June 22, 1989
 Scale: 1" = 40'
 Deed Reference:
 Book: 47 Page: 76B

PROPERTY LOCATION:
 SITUATED IN VMS #4397 & VMS #1078
 IN THE VILLAGE OF NEW VIENNA,
 CLINTON COUNTY, OHIO.



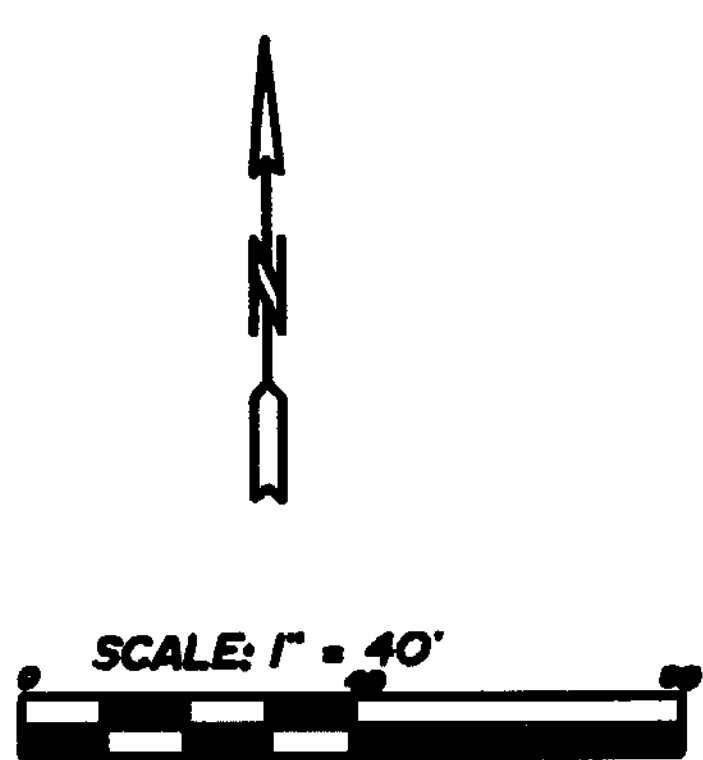
LEGEND

- Iron Pin Set
- Iron Pin Found
- P.o.b.

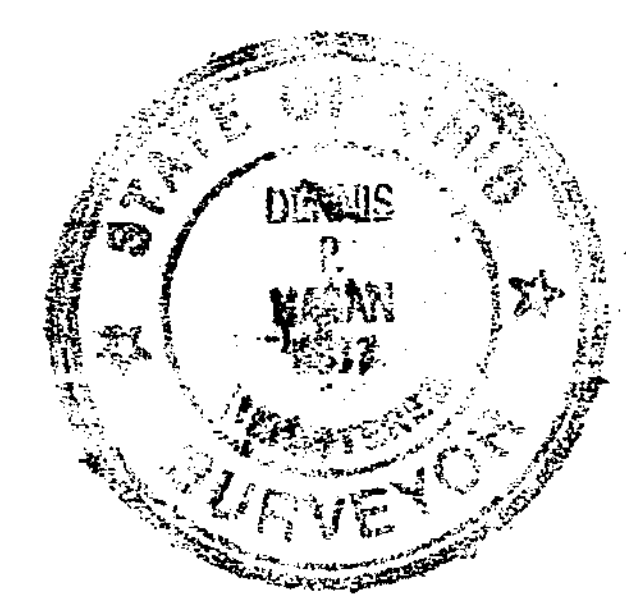
ALL IRON PINS SET ARE 5/8" O.D. REINFORCING RODS WITH YELLOW CAPS LABELED "DENNIS, P. HAGAN, #6917".

THE BEARINGS OF THIS PLAT ARE BASED ON THE WEST RIGHT-OF-WAY LINE OF MAIN STREET AS N36°23'00"E.

TOTAL ACREAGE 0.6165 Acres
 V.M.S. #1078 0.2762 Acres
 V.M.S. #4397 0.3403 Acres



APPROVED FOR
 MATHEMATICAL ACCURACY
 Clinton County Engineer
 Per Margaret Waters
 JUN 28 1989



I HEREBY CERTIFY THAT A SURVEY WAS MADE OF THE PREMISES AND THAT THE ATTACHED PLAT IS CORRECT TO THE BEST OF MY KNOWLEDGE.
 DATED: 6/20/89 Dennis P. Hagan
 DENNIS P. HAGAN, P.S. #6917
 OHIO REGISTERED SURVEYOR

PREPARED FOR:
 K.F.R. TITLE
 41 S. HIGH STREET
 COLUMBUS, OHIO

PREPARED BY:
 DPH SURVEYING, INC.
 P.O. BOX 429
 THORNVILLE, OHIO 43076