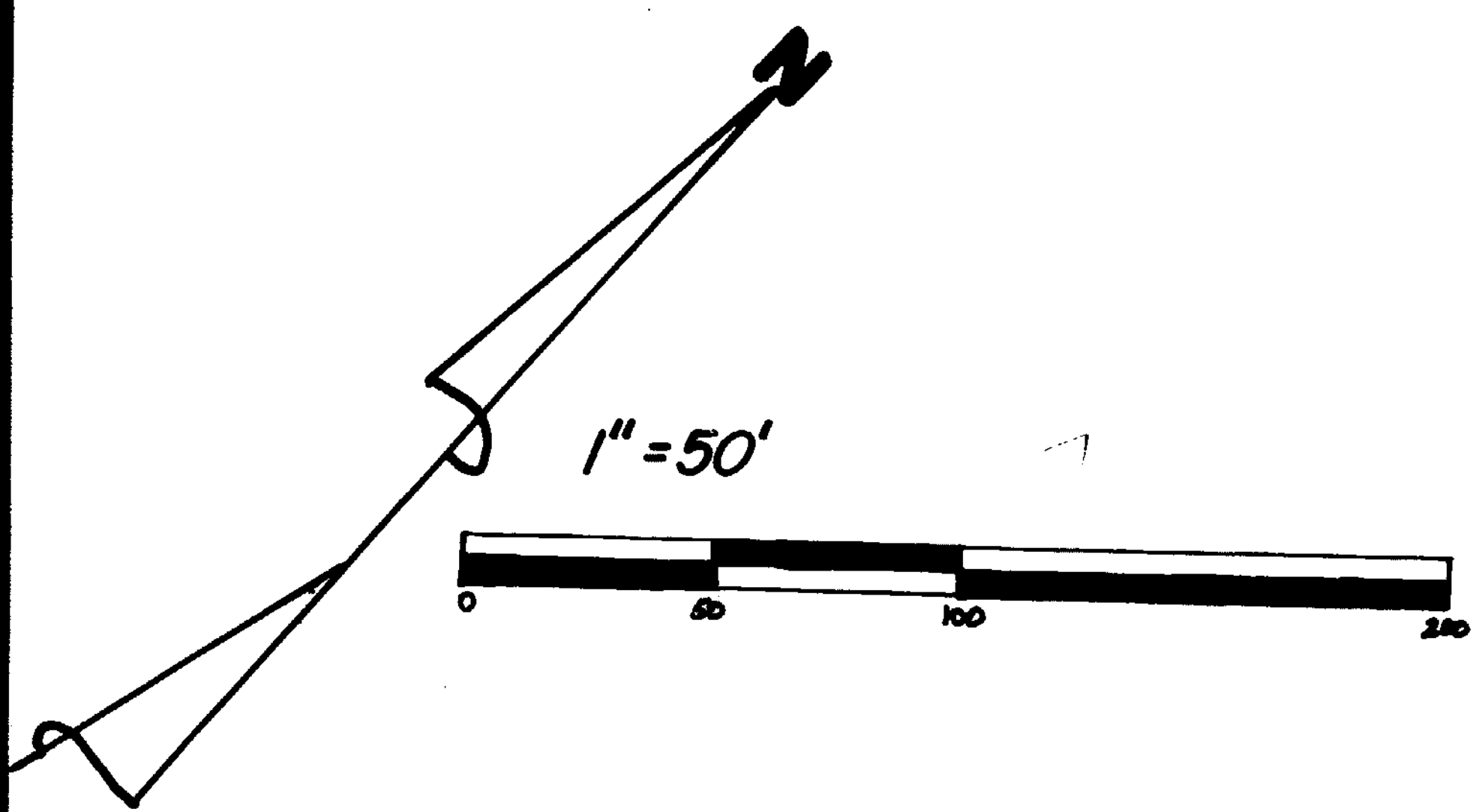


CLINTON COUNTY ENGINEERS  
 RECORD OF LAND DIVISION  
 VOLUME 20 PLAT NO. 108  
 DATE 3-23-1989  
 SCALE 1" = 50'

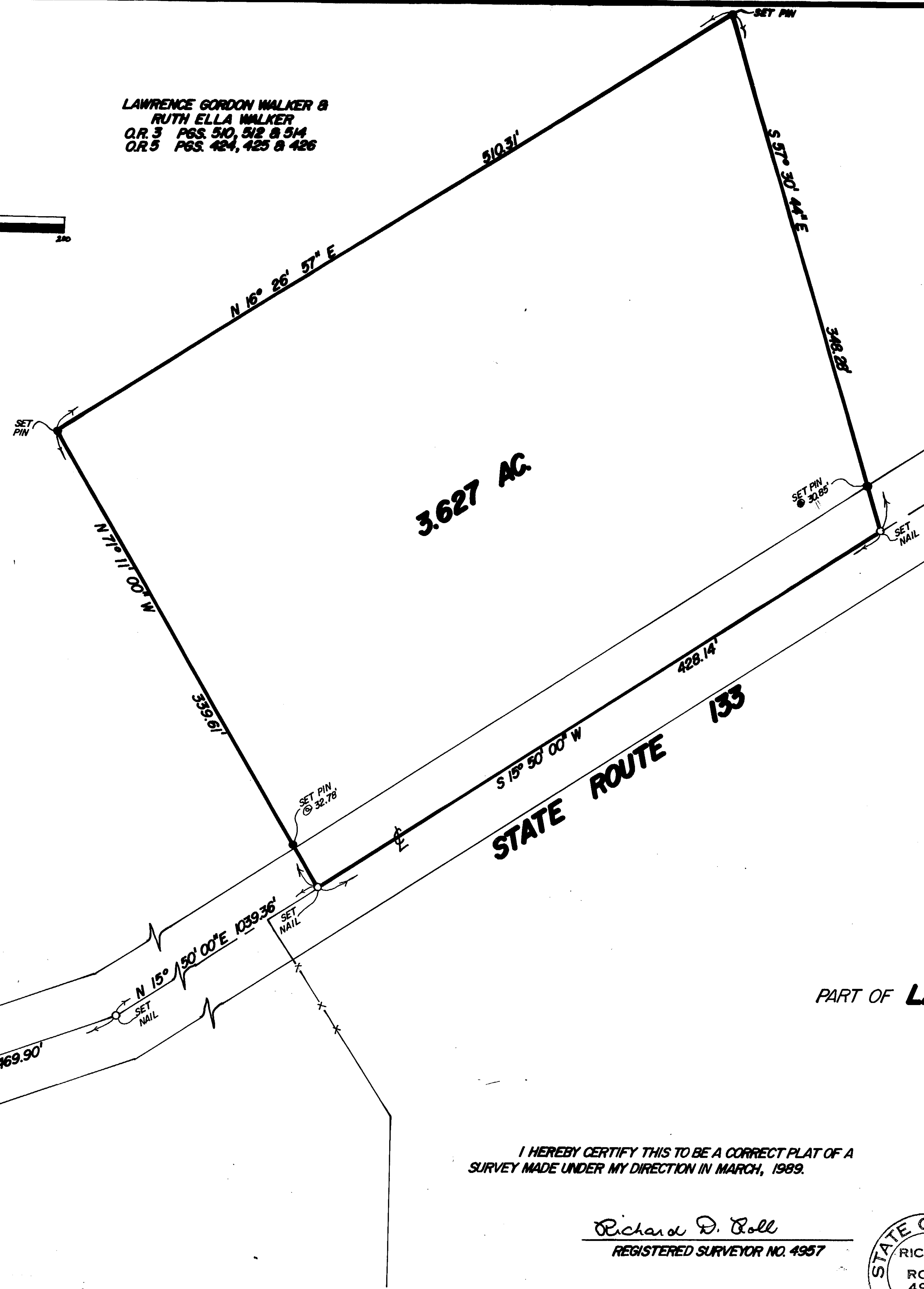
---

DEED REFERENCE  
 OFFICIAL RECORD  
 VOLUME 3 PAGES 510, 512 & 514  
 VOLUME 5 PAGES 424, 425 & 426  
 TOWNSHIP MARION  
 MILITARY SURVEY NO. 1032

LAWRENCE GORDON WALKER &  
 RUTH ELLA WALKER  
 O.R. 3 PGS. 510, 512 & 514  
 O.R. 5 PGS. 424, 425 & 426



NOTES:  
 (1) "SET PIN" DENOTES 1/2" x 30" IRON PIN WITH PLASTIC CAP  
 (2) "SET NAIL" DENOTES PK. MASONRY NAIL.  
 (3) BEARINGS WERE DERIVED FROM THE DEED AS RECORDED IN VOLUME 5, PAGE 426, OF THE OFFICIAL RECORDS OF CLINTON COUNTY, OHIO.



The approval of this plat by the Board of County Commissioners does not constitute the approval by the Board of Health, roads or streets, zoning and the drainage of this subdivision.

RECEIVED BY THE CLINTON COUNTY COMMISSIONERS ON  
March 16 1989.

*Brenda M. Morgan*  
 CLERK

APPROVED ON March 16 1989.

*Thomas C. McMillan*

*David Emmett Bailey*

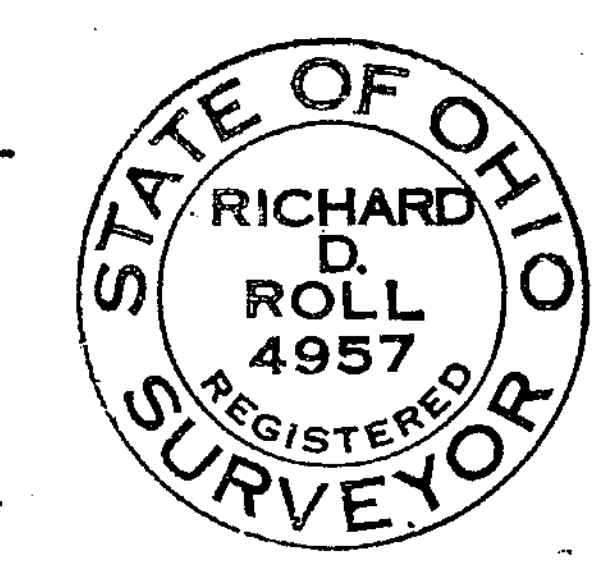
*David R. Stewart*  
 COMMISSIONERS OF CLINTON COUNTY, OHIO

This land split is conditionally approved for land transfer. Split approval does NOT constitute approval for a building permit and/or Health Department registration.

SURVEY PLAT OF  
 PART OF **LAWRENCE GORDON WALKER** LANDS  
 SITUATED IN  
 MILITARY SURVEY NO. 1032  
 MARION TOWNSHIP  
 CLINTON COUNTY, OHIO

I HEREBY CERTIFY THIS TO BE A CORRECT PLAT OF A SURVEY MADE UNDER MY DIRECTION IN MARCH, 1989.

*Richard D. Roll*  
 REGISTERED SURVEYOR NO. 4957



APPROVED FOR MATHEMATICAL ACCURACY  
 Clinton County Engineer  
*Margaret White*  
 MAR 14 1989

**CLINCO**  
 ENGINEERS & SURVEYORS  
 P.O. BOX 241  
 62 1/2 E. SUGARTREE ST. WILMINGTON, OHIO

SCALE 1" = 50'	DRAWN BY MSH	CHECKED BY RDR
DATE 3-13-89	DRWG. C-5499	