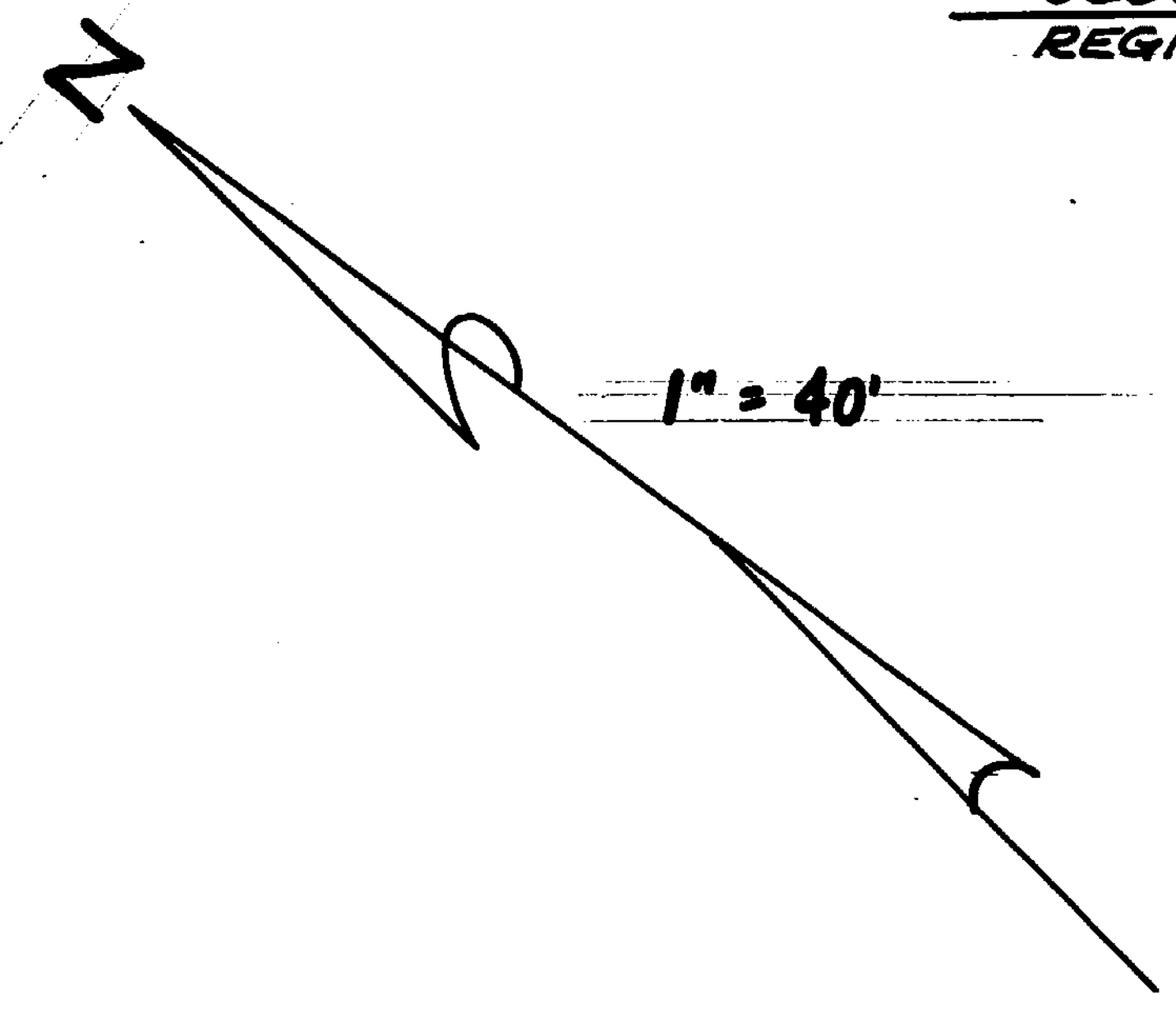


I HEREBY CERTIFY THIS TO BE A CORRECT PLAT OF A SURVEY MADE UNDER MY DIRECTION IN MAY, 1981.

Richard D. Roll
REGISTERED SURVEYOR No. 4957



NOTE: EXEMPTION FROM APPROVAL CLAIMED UNDER O.R.C. 711.001 (NO NEW BUILDING SITE CREATED.)

CLINTON COUNTY ENGINEERS
RECORD OF LAND DIVISION

VOLUME 16 PLAT NO. 109

DATE 5-26-81

SCALE, 1"=40'

DEED REFERENCE

DEED BOOK 242 PAGE 131

TOWNSHIP VERNON

MILITARY SURVEY NO. 2251

OLD STATE ROAD No. 112

JACK J. & BARBARA A. SODINI
D.B. 237 Pgs. 75

CARL R. MOLER
D.B. 252 Pgs. 44
S.R. 14 Pgs. 102
(1.25 Ac.)

S 29° 31' 05" E 417.42'

N 29° 29' 22" W 415.10'

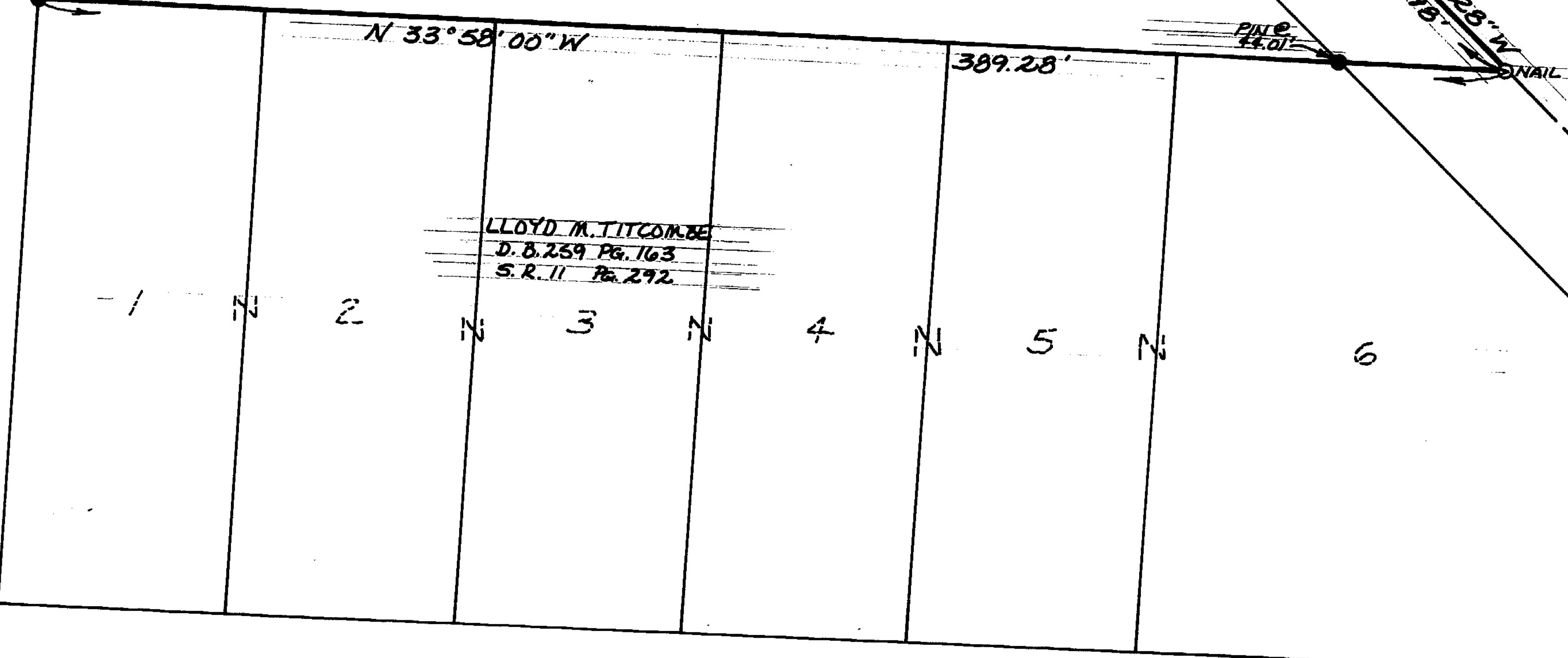
S 33° 51' 22" E 346.24'

JACK J. & BARBARA A. SODINI

N 56° 54' 17" E 10.19'

0.621 Ac.

LLOYD M. TITCOMBE
D.B. 259 Pgs. 163
S.R. 11 Pgs. 292



SURVEY PLAT OF
PART OF WILLIAM F. McCOY II & MEREDITH McCOY LANDS
SITUATED IN
MILITARY SURVEY No. 2251
VERNON TOWNSHIP
CLINTON COUNTY, OHIO

APPROVED FOR ACCURACY
Clinton County Engineer
Per M. [Signature]
JUN 2 1981

STATE OF OHIO
COWAN STATE PARK

CLINCO
ENGINEERS ~ SURVEYORS
P. O. Box 241
62 1/2 E. SUGARTREE ST. WILMINGTON, OHIO

SCALE 1"=40'	DRAWN BY CLY	CHECKED BY RDR
DATE May 26, 1981	DRWG. C-4152	