

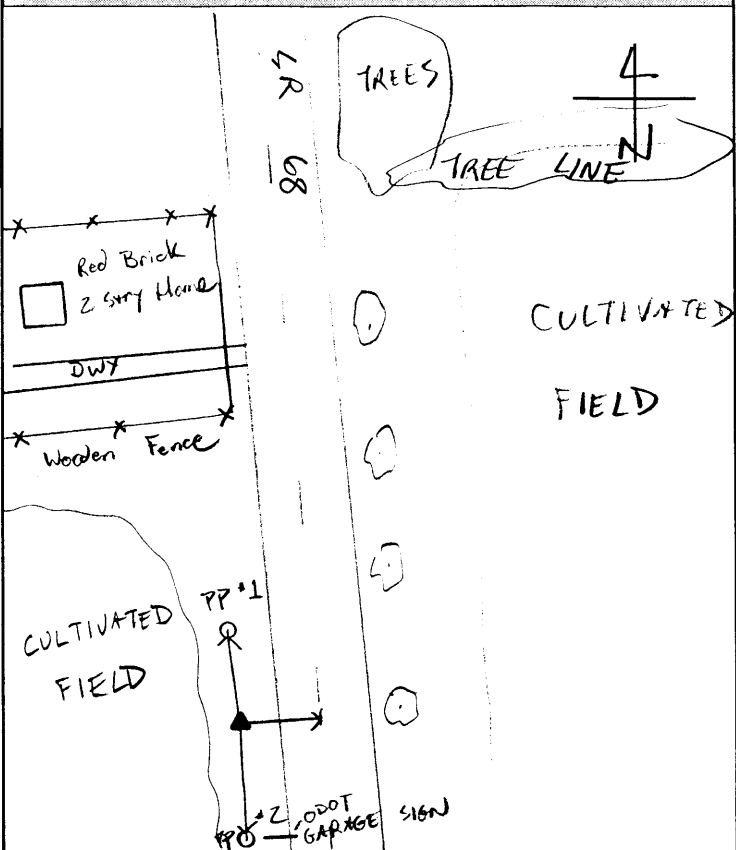


WOOLPERT

Station Recovery Log

Station #: 16A
 Project Name: CLINTON CO.
 Job Number: 57520
 Local Date: 11.24.99
 Name: JCB

STATION LOCATION



TO-REACH DIRECTIONS

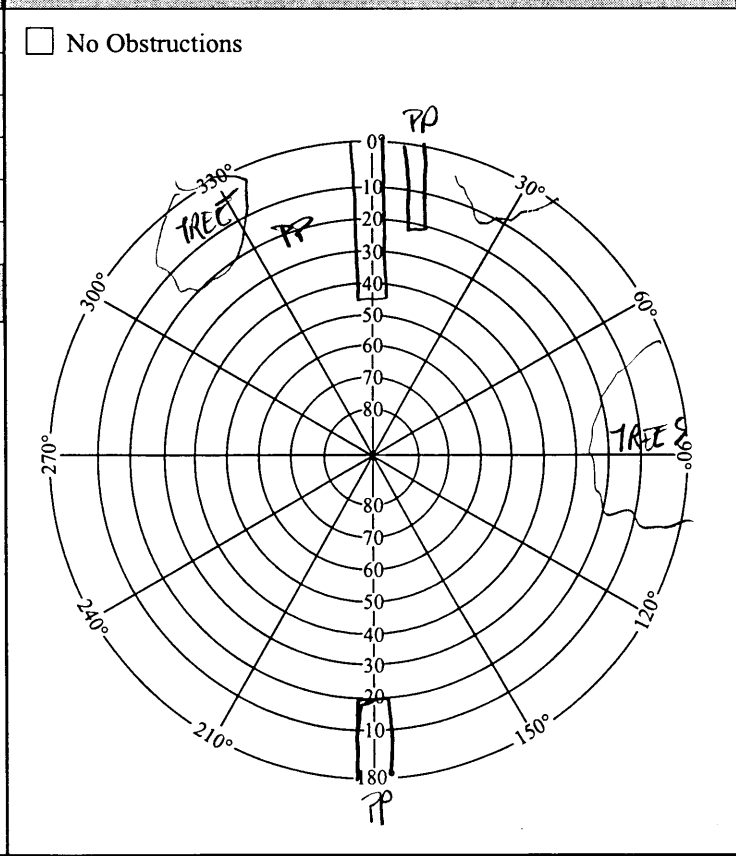
From junction of SR 68 and HWY 71 go north on 68 .4 miles to station on left.

906-907

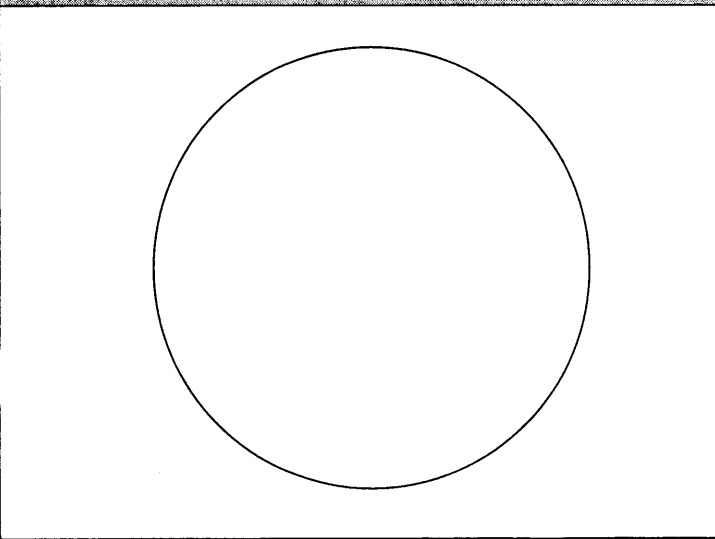
REFERENCES

Reference Object	Distance	Azimuth
PP # 1	20.0	
PP # 2	80.0	
E Rd	30.0	

VISIBILITY DIAGRAM



DISC DETAIL





GPS STATION LOG

Station Name: 2016 Project Name: CLINTON CO
 Receiver No.: 1372 Job Number: 57526
 Day of Year: 112 Local Date: 21 APR - 00
 Session No.: C Operator: ESR

C/A CODE POSITION

Lat: 39 ° 31 ' 36 " N
 Long: 083 ° 50 ' 50 " W
 Ellip. Height: _____ M

Trimble: 4000 SSE, 4000 SSL, Other _____
 Antenna: Kinematic, Compact, Groundplane, Dome
 Battery No.: 1372 w/ 057753
 Tribrach No.: FHT
 File Name: 1372-112-C

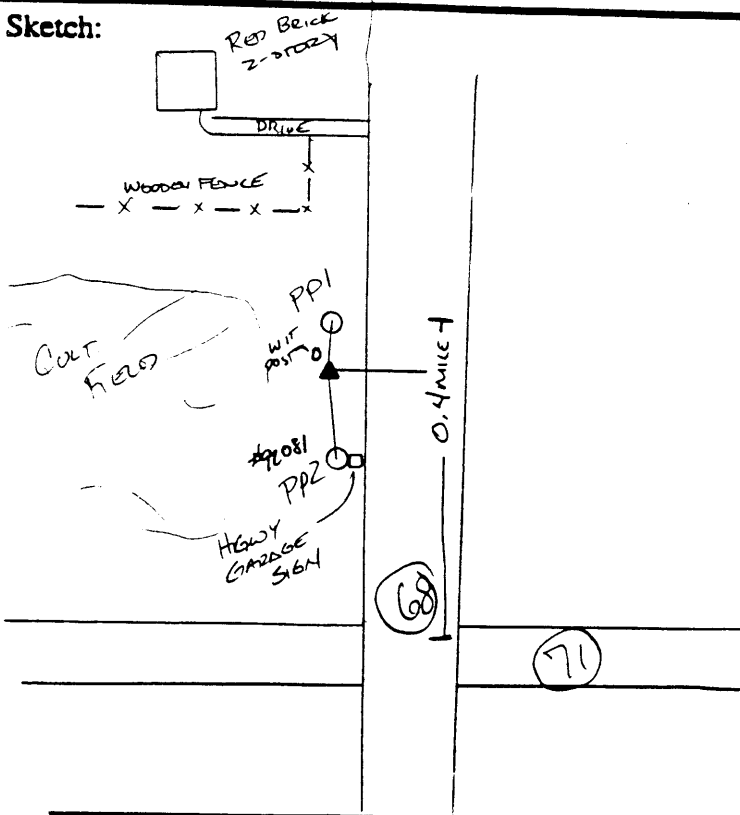
Antenna H.I. ⇒ Before: 2.063 M _____ Ft
 After: 2.063 M _____ Ft

Actual ⇒ Start 17:02 Stop 17:56 UTC
 Start 13:02 Stop 13:56 Local
 Local-UTC Time Offset: _____ -4

Rapid Static, Static, Kinematic Survey

SV's Used: _____ Weather: _____

Sketch:



Description:

PP1 - 6.45m
 PP2 - 28.60m
 #92081
 E 68 - 9.65m
 CLINTON CO.
 W/IR POST - 0.15m

DRY (F) 45.2
 WET (F) 44.4
 RH 93%
 BP 28.59
 CODE 01121

of Mark: DISK
 ing: 16A
CLINTON CO



Indicate North

Remarks:



GPS STATION LOG

Station Name: 2016 Project Name: CLINTON CO
 Receiver No.: 14 Job Number: 57576
 Day of Year: 112 Local Date: 4-21-00
 Session No.: 4 Operator: T.E.P.

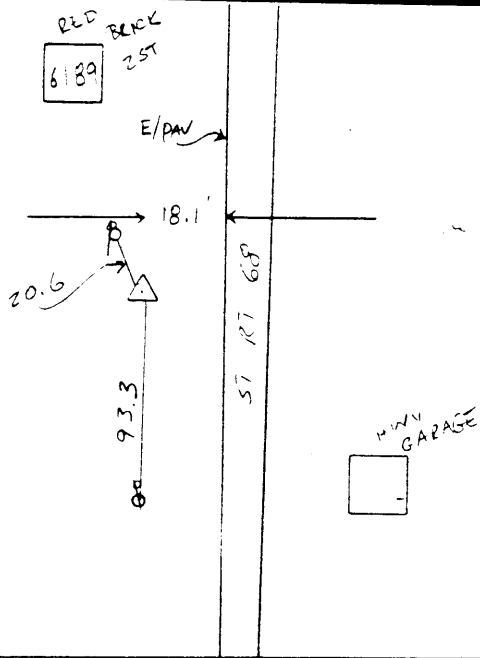
C/A CODE POSITION

Lat: 39° 31' 37" N Trimble: 4000 SSE, 4000 SSL, Other
 Long: 83° 50' 52" W Antenna: Kinematic, Compact, Groundplane, Dome
 Ellip. Height: 242.7 M Battery No.: 1A-057522
 Tribach No.: _____ File Name: 0014-112-4

Antenna H.I. ⇒ Before: 2.063 M _____ Ft Actual ⇒ Start 22:30 Stop 23:31 UTC
 After: 2.063 M _____ Ft Start 6:30 Stop 7:31 Local
Rapid Static, Static, Kinematic Survey Local-UTC Time Offset: 4

SV's Used: 06, 10, 13, 17, 24, 26 Weather: 01121

Sketch:



Description:

Type of Mark: CONC MON W/DISC
 Naming: CLINTON CO #16A
 Agency: CLINTON CO AUDITOR FAXWELL



Remarks: MPV 44.4
WET 42.7
HUM 88%
WIND 28.6k