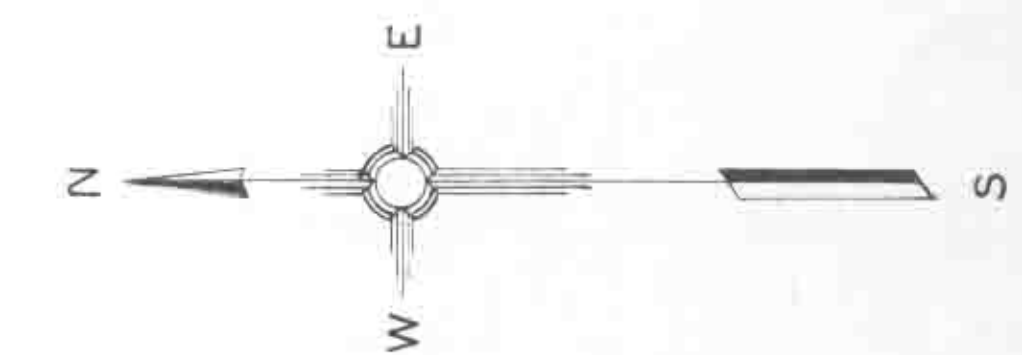
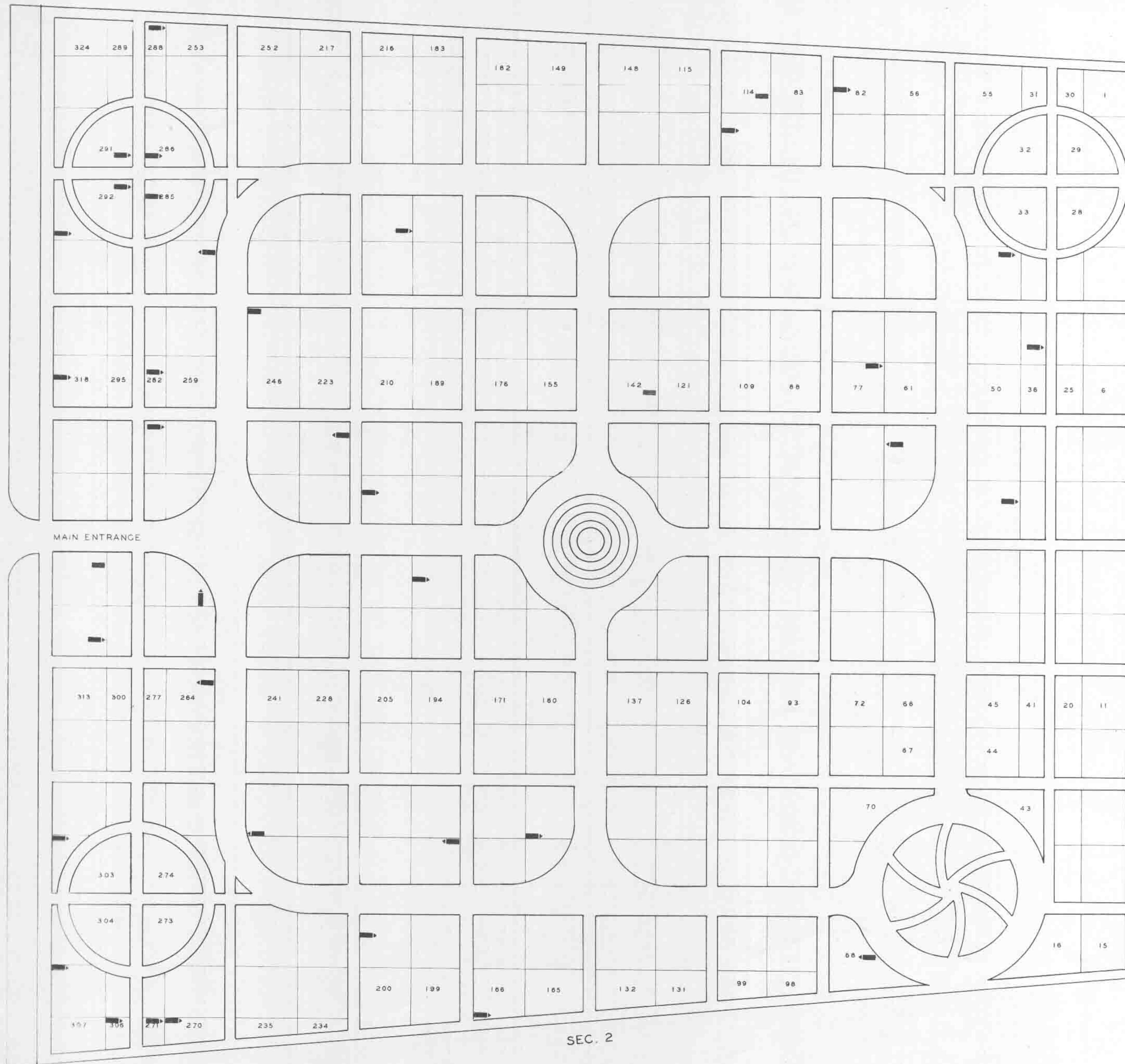


COUNTY HIGHWAY NO. 1



MAPLE GROVE
SOUTH
CEMETERY
CLINTON CO. LIBERTY TWP.
OFFICIAL PROJECT NO. 465-42-3-467 &
665-42-3-232
LEGEND HISTORY
SURVEY 1732 C. PAGE
SCALE 20' = 1" 4.00 ACRES