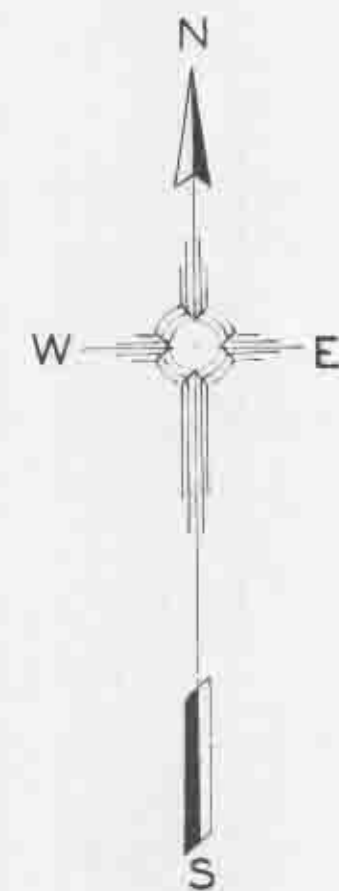


	WAR	ROW	GRAVE
ALLEN, SAMUEL	(10)	4	30
ANDERS, GEORGE W.	(19)	1	36
BRINEGAR, MOSES	(19)	8	41
BONECUTTER, FERDINAND	(19)	14	6
BONECUTTER, MARTIN	(19)	14	4
CLINE, PHILIP	(10)	6	37
ELIOT, BENJAMIN F.	(19)	9	22
EVANS, ALLEN	(19)	5	29
EVANS, DAVID	(10)	5	25
EVANS, HARVEY	(19)	6	27

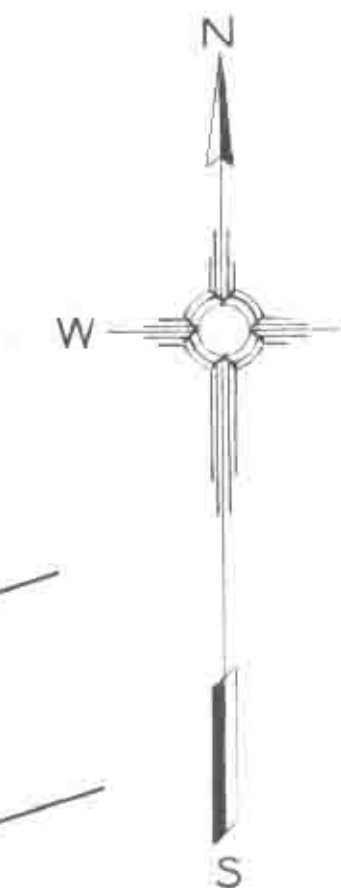
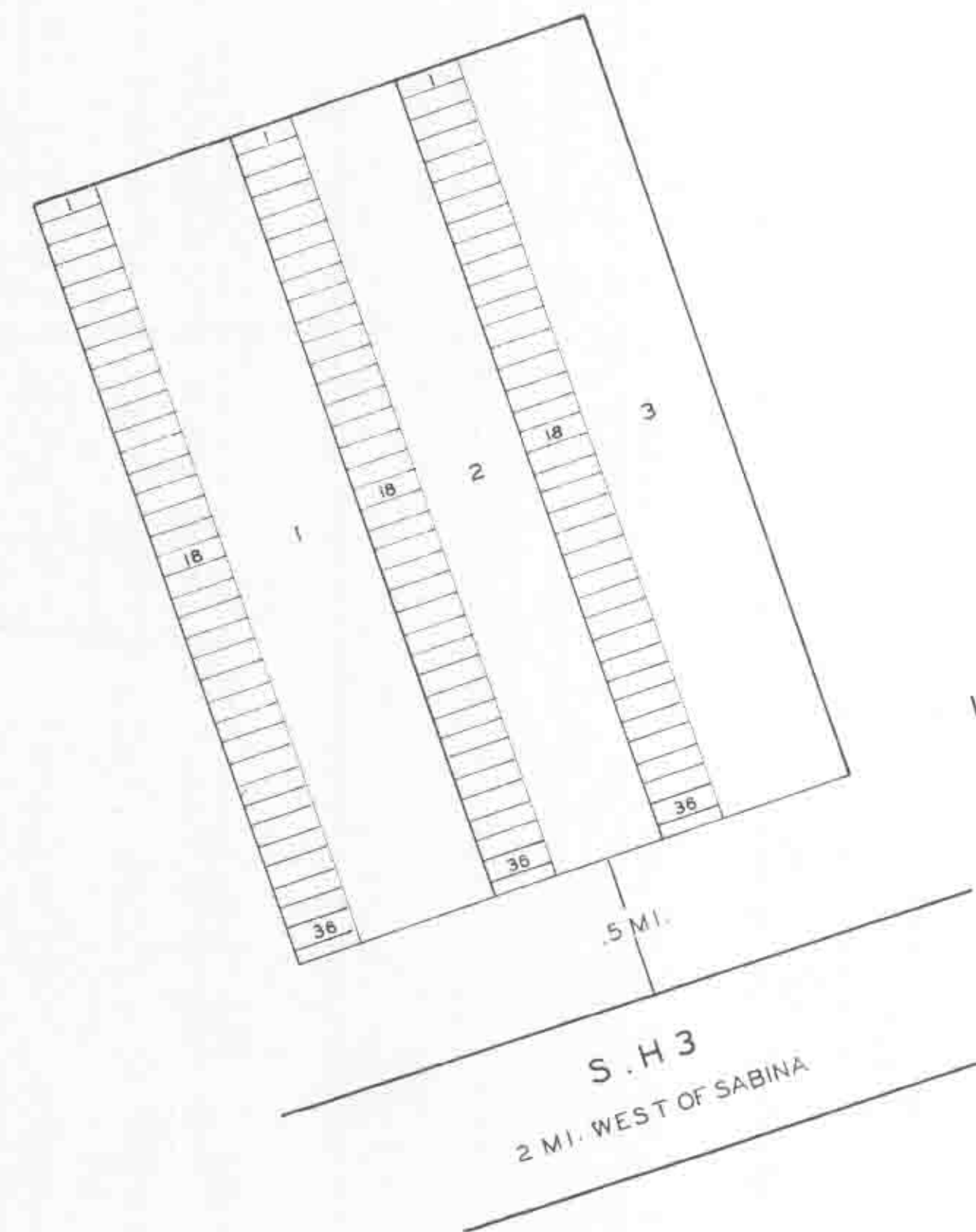


EVANS CEMETERY
CLINTON CO. WAYNE TWP.

OFFICIAL PROJECT NO. 465-42-3-467 &
665-42-3-232

LEGEND	HISTORY
(10) WAR OF 1812	EST. DATE UNKNOWN
(19) CIVIL WAR	SURVEY 6215 S. EVANS
(25) WAR WITH SPAIN	
(31) WORLD WAR	

SCALE 20' = 1" .90 ACRE

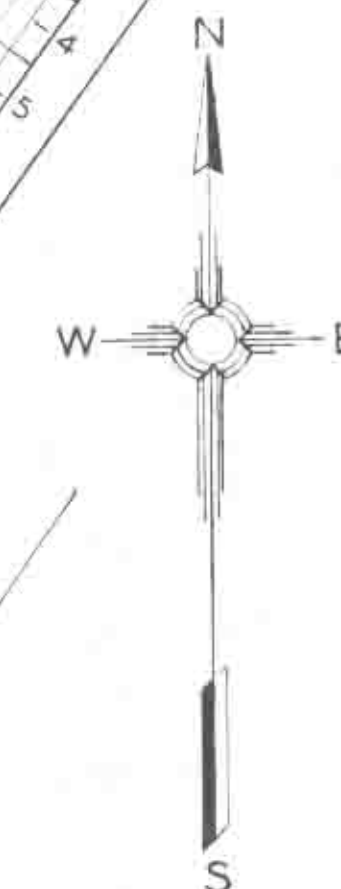
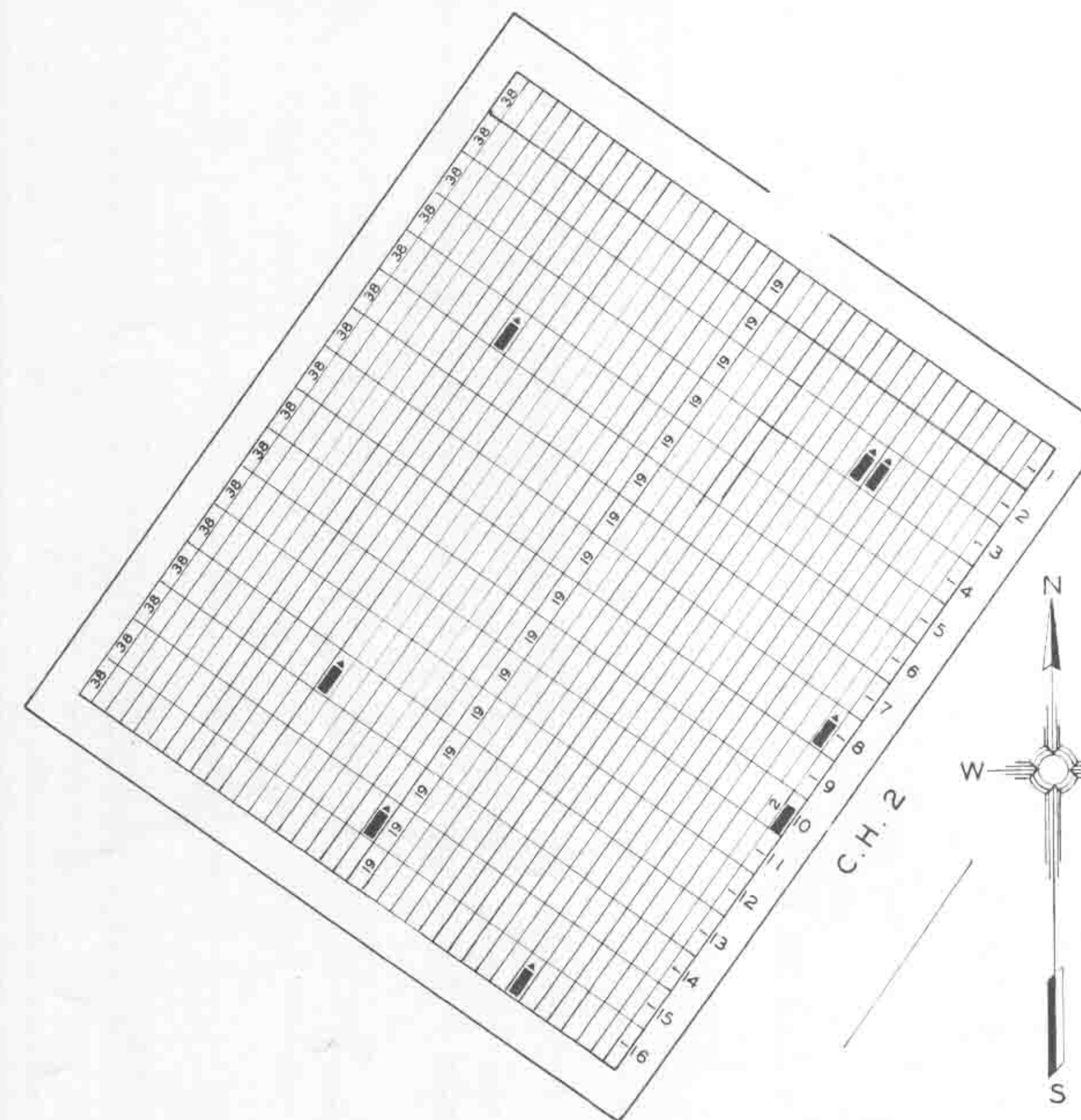


SPURGEON CEMETERY
CLINTON CO. RICHLAND TWP.

OFFICIAL PROJECT NO 465-42-3-467 &
665-42-3-232

LEGEND	HISTORY
	EST. 1805
	SURVEY 729 T. TENCH

SCALE 20' = 1" .20 ACRE



DOAN CEMETERY
CLINTON CO. RICHLAND TWP.

OFFICIAL PROJECT NO 465-42-3-465 &
665-42-3-232

LEGEND	HISTORY
(10) WAR OF 1812	EST. 1822
(19) CIVIL WAR	SURVEY 837 P. NEAVILLE
(25) WAR WITH SPAIN	

SCALE 20' = 1" .50 ACRE

	WAR	ROW	GRAVE
BROWN, ELIJAH	(19)	15	20
DOBBINS JOHN	(19)	10	1
ELLIS, JESSE	(19)	8	2
HILL, WILLIAM M.	(19)	13	27
LEVECK, GEORGE W.	(19)	3	8
PIKE, SAMUEL S.	(19)	5	30
SHOCKY, JOSHUA	(19)	16	8
SMITH, WILLIAM	(10)	3	9